

# SERVICE MANUAL

On-line Leak Sealing Solutions

**DEACON**<sup>®</sup>



# DEACON ADVANTAGES

## What our customers say about our products

- Less re-pumps than the competition
- Will not crack from thermal changes
- Can be re-injected if necessary
- #1 Quality Injectable Sealants Worldwide
- Most trusted for technical support
- Quickest response time for quotes and tech support
- Good shelf life

# DEACON<sup>®</sup>

## Contact Us

<https://www.jetlube.com/company/contact-deacon>

724-225-8008 - 800-552-2896  
(24 hr answering)

[jetlube.com/deacon](http://jetlube.com/deacon)



*"Cured Deacon 454 removed from clamp January 1999"*

## DEACON THEORIES OF INJECTION

Deacon's goal was to create a line of on-line injectable leak sealing products that required less injection pressure and had excellent travel properties. This would create less stress on the pipe and piping joints and require less injection ports than other products that existed at the time. With these excellent travel properties and less injection pressure, the compounds can flow easily into tight gaps and up around threads creating a void free sealant cross section requiring less hydraulic pressure to compact the entire void area. Deacon also wanted to create injectable sealants that were not only user friendly, but removable (will not cement the joint), flexible (will expand and contract with piping systems) and can be re-pumped if necessary. With these goals in mind, Deacon created the premier line of injectable leak sealing products, trusted around the world since 1988.

**Please read**

This Deacon On-Line Leak Sealing Service Manual (Version 024) replaces any previous version(s). Please discard previous version(s) and replace with this Manual.

**Important Notice:**

The Chemical Compatibility Application Chart enclosed has been developed to assist DEACON customers in choosing the sealant/packing best suited for use in certain process and chemical applications. It should be noted DEACON has not laboratory tested all of the chemicals listed in this guide. Some of the chemicals have been field tested and the balance of the information has been acquired through a cross-reference system utilizing three separate reference sources, computer software, and customer feedback. The compound selections were based on reactivity data and performance requirements.

The Chemical Compatibility Application Chart in the back of this manual will continue to be updated, as acquisition of information for chemical and process applications is an ongoing, dynamic function at DEACON. The guide will be updated as additional information is obtained from technical bulletins, SDS, and packing/gasket recommendations from the manufacturers of the process chemicals.

When you are called to service an application that your personnel have no previous experience with, please call. We will provide you with whatever safety and technical information we may have available.

Always consult DEACON product information sheets to determine thermal limitations on each compound.

Disclaimer: The information and recommendations of DEACON concerning these products, is based upon laboratory tests, customer feedback and experience, and to the best of our knowledge and belief are true and accurate. Since conditions of actual use are beyond our control, the recommendations or suggestions are made without warranty, expressed or implied.

**Warranty:**

**LIMITED WARRANTY:** This product is subject to a limited warranty, which can be found at <https://www.jetlube.com/resources/limited-warranty>. No other warranties are made with respect to this product. The responsibility for determining whether this product is suitable for use on a particular application rests solely with the end user. DEACON recommends that the product be tested prior to use.

Note: For industrial use by professionally trained personnel only. Consult SDS & Tech Sheet for all safety, technical, and warranty information before use.

# CONTENTS

Pipe Wraps.....	2-4
Fast Curing and Hard-Setting Sealants.....	5
High Temperature Heat Curing Compounds.....	6-9
Rubber Compounds.....	10
PTFE Compounds.....	11-12
Non-Curing Sealants and Packings.....	13
Pump Packing and Epoxy.....	14
Bulk Fiber Additives.....	15
Maintenance Products.....	16
Injection Guns.....	17-18
Injection Hardware and Wire.....	19
Braided Packing.....	20
Conversions and Equations.....	21
Steam Service and Water Service.....	22-24
Boiler Feed Water and Condensate.....	26
Extreme Heat.....	27
Hot Oil, Dowtherm, Gasoline and Low E.....	28
Specialty Applications.....	29
Safety.....	30-31
Chemical Compatibility Application Chart.....	32-53
Troubleshooting.....	54
Tips for Success.....	55



# ENGINEERED CARBON FIBER COMPOSITE REPAIR SYSTEM



**DEACON® ROCKET WRAP®** is a revolutionary repair solution for internal and external corrosion, erosion, stress cracking, direct leaks, soft spots, microbial-induced corrosion (MIC), and general industrial leak repair. Crafted with precision engineering, Rocket Wrap products are built to endure extreme temperatures, pressures, and harsh chemicals. Rocket Wrap is a seamless, all-in-one fix for a diverse range of industrial needs. With minimal to zero downtime and no demolition or new permits required, it's the ultimate time and money-saving solution for your repair needs.

## BENEFITS:

- Meets ASME PCC2 Standards
- Low Thermal Expansion
- Extreme Chemical Resistance
- High Tensile Strength
- High Temperature Tolerance
- High Strength-to-Weight Ratio
- Substantial Cost-Savings of 80% vs. Replacement
- Permanent Solutions
- Custom Engineered Solutions
- Conforms to Odd Geometry
- Specially Formulated Proprietary Blend Epoxy
- Reinforces Structures Beyond Original Capacity
- Mitigates Environmental Damage due to Material Loss

## APPLICATIONS:

- Process Piping
- Tanks
- Silo Reinforcement & Repair
- Concrete Structural Repair
- Support Columns & Beams

## MAX SERVICE:

- Type A = 487°F (253°C)
- Type B = 469°F (243°C)





# ROCKET WRAP PRODUCT LINE:



## Deacon® Rocket Filler

Two-Part Epoxy used to fill pits and build smooth transitions.



## Deacon® UV Top Coat

Two-Part UV Resistant Paint used to protect epoxies and composite wrap system.



## Deacon® Rocket Primer

Two-Part Epoxy used to promote adhesion between substrate and fabric.



## Deacon® Rocket Repair Kit

Pre-Measured Carbon Fiber, Saturant, Primer, and Accessories.



## Deacon® Rocket Saturant

Wet-Out Two-Part Epoxy for fabric.



## Deacon® Diamond Putty

Fast-Setting Steel Reinforced Putty Stick used for repairs.



## Deacon® Rocket Fabric

Woven Carbon Fiber provides durable and lightweight composites for long-term structural repair and reinforcement.



## Deacon® Booster Kit

Saturant, Booster Powder, and Accessories used to build large transitions over flanges or leak sealing clamps.



## Deacon® Jacket Wrap

Plastic Compression Film ensures fabric is securely compacted around the repair area.



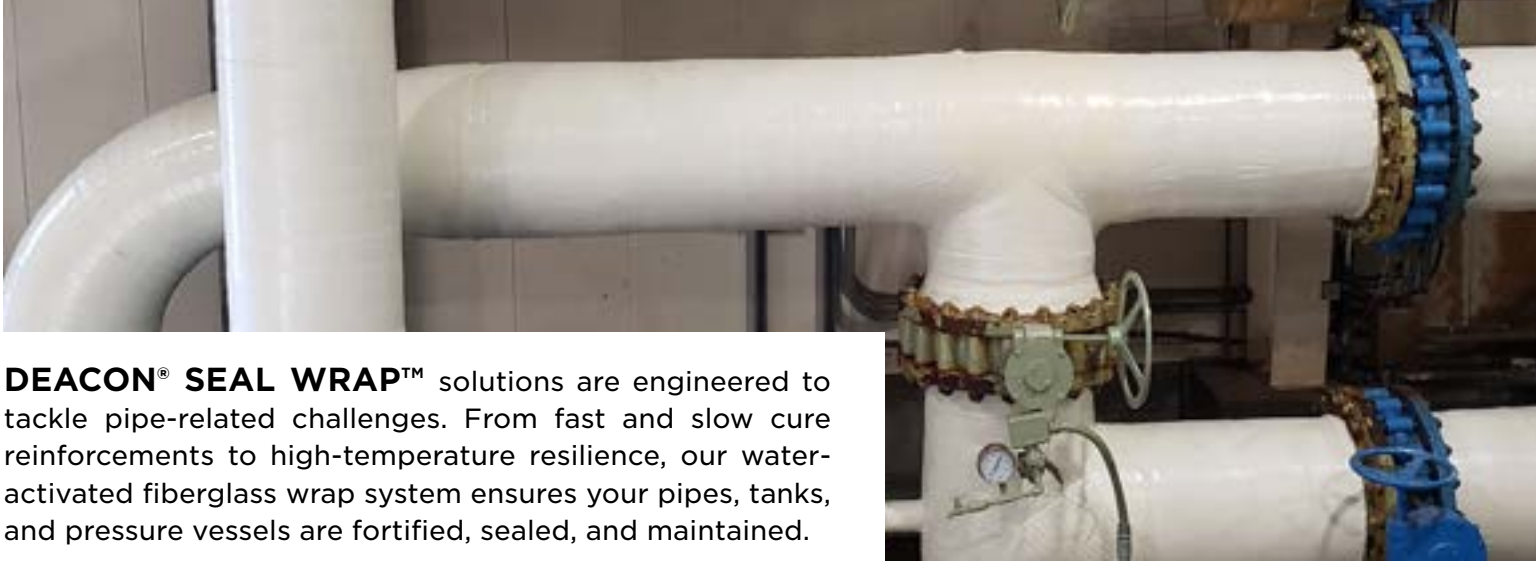
### TEST RESULTS: ASME PCC-2 Qualification Data - Stress Engineering Services Inc. (Houston, TX)

TEST	DETAILS	TEST TEMP	TEST STANDARD	RESULTS	MEETS SPECIFIED MINIMUM REQUIREMENTS (Yes/No/No Min Specified)
Ply Thickness	—	—	—	0.026 inch	No Min Specified
Tensile Strength	Hoop	73°F (23°C)	ASTM D 3039	96,000 psi	No Min Specified
Ultimate Tensile Strain	Hoop	73°F (23°C)	ASTM D 3039	2.63% <sup>1</sup>	Yes (>1%)
Modulus	Hoop	73°F (23°C)	ASTM D 3039	6,210,000 psi	No Min Specified
Tensile Strength	Axial	73°F (23°C)	ASTM D 3039	49,890 psi	No Min Specified
Ultimate Tensile Strain	Axial	73°F (23°C)	ASTM D 3039	1.16% <sup>2</sup>	Yes (>1%) <sup>2</sup>
Modulus	Axial	73°F (23°C)	ASTM D 3039	3,740,000 psi	No Min Specified
Poisson's Ratio	Hoop	—	ASTM D 3039	0.033	No Min Specified
Hardness	Barcol	—	ASTM D 2583	46	No Min Specified
CTE	Hoop	77°F to 122°F (25°C to 50°C)	ASTM E 228	20.37 μm/m·°C	No Min Specified
	Axial			20.81 μm/m·°C	
	Load Transfer Material			61.79 μm/m·°C	
Heat Distortion Temp	Matrix	—	ASTM D648-18	514°F (268°C)	No Min Specified
Compressive Modulus	Load Transfer Material	73°F (23°C)	ASTM D695-15	520,000 psi	No Min Specified
Shear Modulus	Matrix	73°F (23°C)	ASTM D5379-19	371,000 psi	No Min Specified
Lap Shear Adhesion	Adhesive Strength	73°F (23°C)	ASTM D3165	3,524 psi	Yes (>580 psi)
Short-Term Pipe Spool Survival Test	70% Wall Loss Defect	Room Temp	ASME PCC-2-2018 Mandatory Appendix 401-III	Survived	Yes (Test Pressure Reached)



Learn more [jetlube.com/pipe-wrap](http://jetlube.com/pipe-wrap)

## WATER ACTIVATED FIBERGLASS WRAP SYSTEM



**DEACON® SEAL WRAP™** solutions are engineered to tackle pipe-related challenges. From fast and slow cure reinforcements to high-temperature resilience, our water-activated fiberglass wrap system ensures your pipes, tanks, and pressure vessels are fortified, sealed, and maintained.

### APPLICATIONS

- Leak Repair
- Structural Reinforcement
- Impact Protection
- Abrasion Resistance

### BENEFITS

- Quick and Easy Installation
- Cures in Minutes
- Restores Piping Beyond Original Capacities
- Safe, Nontoxic, and Odorless

### CHEMICAL RESISTANCE

Alcohols	—————	Excellent
Alkalis	—————	Excellent
Dilute Inorganic Acids	———	Very Good
Hydrocarbons	—————	Excellent
Organic Acids	—————	Good
Salts	—————	Excellent
Solvents	—————	Good

Available in three versions to fit your application needs.

	Deacon Seal Wrap	Deacon Seal Wrap FC	Deacon Seal Wrap SC
<b>Characteristic</b>	High-Temp & Extreme Chemical Resistance	Fast-Curing	Slow-Curing
<b>Cure Time 77°F (25°C)</b>	15 minutes	5 minutes	30 minutes
<b>Max Temp Rating</b>	425°F (218°C)	250°F (121°C)	250°F (121°C)
<b>Color</b>	White	Black	White
<b>Available Sizes</b>	2" x 30' 4" x 15' 4" x 30' 6" x 25'	4" x 15'	4" x 30'



**Learn more**  
[jetlube.com/product/seal-wrap-water-activated-wrap](http://jetlube.com/product/seal-wrap-water-activated-wrap)



04/2024

# Fast Curing and Hard-Setting Leak Sealing Compounds

	Deacontite	Deacon Seal-Chief	911
Viscosity	Liquid Sealing Compound	Heavily Fibered Paste	Extremely Dense Putty
Temp.	Up to 1200°F (649°C)	Up to 1600°F (871°C)	Up to 1600°F (871°C)
Benefits	Engineered For Tight Gaps or Re-Injections	Unsurpassed Bridging Capabilities and Superior Travel	Designed for Bad Blows & Valve Kill Applications

**Fits Your Needs**

**DEACON®**

# HIGH TEMPERATURE HEAT CURING COMPOUNDS

## Steam – Feed Water – Condensate – Hydrocarbons



### **CV-600** **INJECTABLE SEALANT** **250°F to 950°F (121°C to 510°C)** **#1 Seller for STEAM**

Brown color, putty-like compound with long fiber concentration. Good Travel. Excellent bridging capability. Below 550°F (288°C), speed up the cure by adding 103-P Accelerator (always use accelerator when sealing boiler feed water). For use on boiler feed water, condensate, high pressure steam, killing or plugging lines and valves.

Shelf life is 6 months in closed container. Refrigerated storage recommended.

Packaged: 5/8" x 3" Plugs, J-Sticks, 7/8" x 6" Sticks, Gallons

### **F-250, F-150, F-50** **INJECTABLE SEALANT** **250°F to 950°F** **(121°C to 510°C)**

#### **Steam Service Sealant/Packing**

Black, fibrous, sealant/packing. Good Travel. Cures to a flexible seal. Below 550°F (288°C), speed up the cure by adding 103-P Accelerator.

Some customers prefer F-250 for the initial injection and F-150 for re-pumps. F-150 has a higher resin content (more moist than F-250). Good for re-pumps. F-50 has a lower resin content (more dry than F-250), better for plug customers.

Shelf life is 6 months in closed container.

Packaged: 5/8" x 3" Plugs, J-Sticks, 7/8" x 6" Sticks, Gallons



### **990** **INJECTABLE SEALANT** **250°F to 950°F** **(121°C to 510°C)** **Boiler Feed Water – Steam**

Brown colored, thick fibrous injectable compound. Good Travel. Below 550°F (288°C), speed up the cure by adding 103-P Accelerator: (always use accelerator when sealing boiler feed water) For use on boiler feed water, condensate, high pressure steam, killing or plugging lines and valves.

Shelf life is 6 months in closed container. Refrigerated storage recommended.

Packaged: 5/8" x 3" Plugs, J-Sticks, 7/8" x 6" Sticks, Gallons



### **560** **INJECTABLE SEALANT** **250°F to 950°F** **(121°C to 510°C)** **STEAM – Condensate – Boiler Feed Water – Line Kill – Valve Kill**

Brown color, dense paste impregnated with metal and ceramic fibers. FAST CURING with accelerator: (always use accelerator when sealing Boiler Feed Water) Excellent Travel. Low injection pressure. Below 550°F (288°C), speed up the cure by adding 103-P Accelerator.

Shelf life is 6 months in closed container. Refrigerated storage recommended.

Packaged: 5/8" x 3" Plugs, J-Sticks, Gallons



### **454, 454-T** **INJECTABLE SEALANT** **250°F to 950°F** **(121°C to 510°C)** **Steam – Hydrocarbons – Oils – Chemicals – Gases**

Brown color, dense sealant compound. Pliable Putty-like compound with heavy fiber concentration. Good Travel when heat is present. Below 550°F (288°C), speed up the cure by adding 103-P Accelerator. 454-T is a thinner consistency than 454 (closer to consistency of 3100-S). 454 contains no solvent to gas off. Very inert mixture for chemical compatibility.

Shelf life is 6 months in closed container. Refrigerated storage recommended.

Packaged: 5/8" x 3" Plugs, J-Sticks, Gallons (454 only)





# HIGH TEMPERATURE HEAT CURING COMPOUNDS

## Steam – Feed Water – Condensate – Hydrocarbons

### 909

#### **INJECTABLE SEALANT** **250°F to 1000°F** **(121°C to 537°C)**

**Bad Blows – High Pressure**

Brown color, very dense fibrous compound. Limited Travel. Below 550°F (288°C), speed up the cure by adding 103-P Accelerator. High pressure steam, condensate, plugging holes and bad blows.

Shelf life is 6 months in closed container. Refrigerated storage recommended.

Packaged: 5/8" x 3" Plugs, J-Sticks, 7/8" x 6" Sticks



### 440-T

#### **Heat Curing Liquid** **200°F to 950°F** **(93°C to 510°C)**

**Thin Pourable Liquid**

Characteristics: Liquid sealant compound. Cures to a flexible seal that remains pliable during expansion and contraction. Good traveling capabilities. Will not adhere to metal surfaces.

Applications: Excellent for injecting threads, metal to metal joints. Can be thickened by adding Dry-Pak. Cure time can be accelerated by adding Deacon 103-P Accelerator. No solvents.

Shelf life is 1 year in closed containers.

Packaged: Quarts



### 770-L, 770-P

#### **INJECTABLE Liquid** **or Paste Sealant** **250°F to 950°F** **(121°C to 510°C)**

**Excellent Travel – Threads and Tight Gaps**

Dark brown liquid, injectable sealant. Available in paste or liquid. Excellent Travel. Below 550°F (288°C), speed up the cure by adding 103-P Accelerator. Use with any Deacon heat curing compound to increase travel and aid in injection.

Shelf life is 12 months in closed container. Add a Dry-Pak mix to thicken if needed.

Packaged: Quarts, Gallons, 5 Gallon Pails



### 720-SF

#### **INJECTABLE SEALANT** **250°F to 950°F** **(121°C to 510°C)**

**Silica Free – Boiler Feed Water**

Tan color, dense putty impregnated with metal and carbon fibers. (Contains less than 1% Silica). Good Travel. Below 550°F (288°C), speed up the cure by adding SF-ACC Accelerator (always use accelerator when sealing boiler feed water). For use on boiler feed water, condensate, high pressure steam, killing or plugging lines and valves.

Shelf life is 6 months in closed container. Refrigerated storage recommended.

Packaged: 5/8" x 3" Plugs, J-Sticks, 7/8" x 6" Sticks



### 103-P

#### **ACCELERATOR** **75% FASTER CURE**

**Used to speed up the cure of Deacon heat curing compounds**

Granular Powder. Will accelerate cure of heat curing compounds to aid in achieving a seal in situations of lower temperatures. 103-P will accelerate the curing process, but must be used in conjunction with heat. (a minimum of 150°F/ 65°C) Not recommended above 600°F (316°C). Unlimited shelf life. Mix Ratio: (1 tablespoon or 16 grams) per J-Stick (2 oz. or 62 grams) per quart (1/2 lb. or .22 kg) per gallon. Mix ratio recommendations are general, does not have to be exact to achieve a quicker cure.

Packaged: Quarts, Gallons



# FAST CURING AND HARD-SETTING COMPOUNDS

## Steam – Feed Water – Condensate – Hydrocarbons

### 911

#### **INJECTABLE SEALANT** **200°F to 1600°F** **(93°C to 871°C)**

##### *Fast Curing and Hard-Setting*

#1 Seller for Boiler Feed Water or Bad Blows. Black color; extremely dense, fibrous putty; impregnated with metal and ceramic fibers. Outstanding plugging capabilities. Because of its accelerated curing time it will not wash out like conventional sealants.

Applications: Clamps, Enclosures, Perimeter Seals, Wire Wraps, Flanges. Designed bad blows. Can be used for killing or plugging valves or lines no longer in use.

Shelf life 6 months in closed packages. Recommend refrigerator or freezer storage.

Packaged: J-Sticks, 5/8" x 3" Plugs



### SEAL-CHIEF

#### **INJECTABLE SEALANT** **200°F to 1600°F** **(93°C to 871°C)**

##### *Fast Curing and Hard-Setting*

Black colored, heavily fibered paste. Good Travel. For use on boiler feed water; condensate, high pressure steam, killing or plugging lines and valves.

Shelf life is 6 months in closed container. Refrigerated storage recommended.

Packaged: 5/8" x 3" Plugs, J-Sticks



### Deacontite

#### **INJECTABLE LIQUID** **200°F to 1200°F** **(93°C to 649°C)**

##### *Fast Curing and Hard-Setting Liquid / Reinjections*

Black color; heat curing, liquid sealant. Because of its accelerated curing time it will not wash out like conventional sealants.

Applications: Clamps, Enclosures, Perimeter Seals, Reinjections, Flanges, Gaskets, or Threaded Applications.

Shelf life 6 months in closed packages. Recommend refrigerator or freezer storage.

Packaged: Quarts



# HIGH TEMPERATURE HEAT CURING COMPOUNDS

## Super Heated Steam – Extreme Hot Air



### CJ-429, CJ-650

#### INJECTABLE SEALANT

**600°F to 1800°F (315°C to 982°C)**

**Extreme Heat – Super Heated Steam - 1800°F**

Brown color, dense sealant paste (gallons) or putty (extruded) compound with heavy fiber concentration. Hard Setting, Sealant/Refractory Hybrid. Excellent for EXTREME temperatures experienced with superheated steam, catalyst, flue gas. Service Examples: Super Heated Steam (3000#) & 1000°F (537°C), Hydrogen 1000°F (537°C) and up, Hot Air 1800°F (982°C), Flue Gas 1100°F (593°C).

CJ-429 was designed to be a hybrid between sealant and refractory. In applications where conventional sealants would become brittle and powder, because of extreme heat and temperature, this compound is un-surpassed. CJ-650 is a thinner version of CJ-429, great for pumping from 5 gallon pails.

**TIP: When using Gallons of CJ-429, Coat your gloves and the CJ-429 in Dry-Pak 3 to make it easier to handle.**

Shelf life is 6 months in closed container. Refrigerated storage recommended. (Extruded Only)

Packaged: 5/8" x 3" Plugs, J-Sticks, 5 Gallon Pails

### 464

#### INJECTABLE SEALANT

**600°F to 1350°F**

**(315°C to 732°C)**

**High Temp – Hot Hydrocarbons**

Brown color, dense sealant compound. Pliable compound with heavy fiber concentration. Good Travel in high temp application. Excellent chemical resistance at extreme temperatures.

Use with 411 Liquid to help travel and get travel into threads and tight gaps.

Shelf life is 6 months in closed container. Refrigerated storage recommended.

Packaged: 5/8" x 3" Plugs, J-Sticks



### 411

#### INJECTABLE LIQUID SEALANT

**600°F to 1350°F**

**(315°C to 732°C)**

**High Temp Curing Liquid To 1350°F**

Brown colored, injectable heat curing liquid sealing compound. Excellent Travel.

Perfect for injecting into threads or metal to metal joints. Thicken with Dry-Pak 6. Use to improve high temp travel of 464. Pourable.

Shelf life is 12 months in closed container.

Packaged: Quarts



## Dowtherm – Hot Oil – Hydrocarbons

### 3100-S

#### INJECTABLE SEALANT

**250°F to 950°F**

**(121°C to 510°C)**

**Hot Oils – Dowtherm – Hydrocarbons**

Gray color, dense, pliable putty-like sealant. Excellent Travel. Customer feedback reports applications up to 1250°F (677°C). Below 550°F (288°C), speed up the cure by adding 103-P Accelerator.

Shelf life is 6 months in closed container. Refrigerated storage recommended.

Packaged: 5/8" x 3" Plugs, J-Sticks, 7/8" x 6" Sticks, Gallons





# RUBBER COMPOUNDS

## Heat Curing Rubber Compound

### 402-CF

**-50°F to 500°F**  
**(-45°C to 260°C)**

**One-part heat curing rubber extrusion**



Black Color. Some acids, water; steam, ketones, esters, alcohols, alkalis, aldehydes, boiler feed water; condensate silicone oils, and acetic acid. Not recommended for hydrocarbons or oils. Cures in service at temperatures above 150°F (65°C) Store under 90°F (32°C).

Carbon and aramid fibers. Pressure Containment: 1/8" Hole 450 psi (uncured) 1/8" Hole 8000 psi (cured)

Packaged: 5/8" x 3" Plugs, J-Sticks, 7/8" x 6" Sticks

### 460

**FLUROSILICONE INJECTABLE RUBBER**

**-90°F to 450°F**  
**(-68°C to 232°C)**

**Heat Curing One Part Extruded Rubber**



Blue color. Good Travel. Applications: Dilute acids, Alcohols, Alkalies, Petroleum Oils, Chlorinated Hydrocarbons, Hydrogenated Solvents, Halogenated Hydrocarbons, L.P. Gas, Fuel Oil, Freon, Gasoline, Motor Oil, Mineral Spirits.

Shelf life is 2 years in closed container.

Packaged: 5/8" x 3" Plugs

## Chemically Curing Two Part Rubber

### 404, 404-LIQUID

**-88°F to 230°F**  
**(-66°C to 110°C)**

**Two Part Rubber – Fast Cure – Oil – Gasoline**

404 Pumpable, Chemically curing two-part rubber; Dark gray color when mixed, Fast-setting. Work life is 1 hour at 70°F (21°C). Work life is significantly reduced at elevated temperatures (30 min. or less above 75°F (23°C)). Product can be kept on ice to extend application life. Shelf-life is 6 months in original unopened containers. Cool storage recommended.

404 LIQUID Pourable, Chemically curing two-part rubber; Dark gray color when mixed. Work life is 6 hours at 70°F (21°C).

Shelf-life is 6 months in original unopened containers. Cool storage recommended.

Packaged: Pint Kits (.47 L), Quart Kits (.94 L), Gallon Kits (3.7 L)



## Moisture and Air Curing One Part Rubber



### 400, 410

**One Part Rubber**

**(400) -50°F to 450°F (-45°C to 232°C)**

**(410) -85°F to 600°F (-65°C to 315°C)**

**Air/Moisture Cure**

Black Color (400) Red Color (410). Cures to a low durometer solid. DO NOT expose unused material to air or moisture. A partial cure occurs in approx. 5 minutes. Mix with a Dry-Pak fiber mixture to ensure curing as quickly as possible throughout the cross section, and to increase the bridging capabilities of the rubber (wetting the fibers with water will speed up the curing process). Whenever possible, try to expose the rubber to water or steam as it is injected.

Shelf life is 1 year in closed container.

Packaged: Caulking Tubes, Gallons, 4.5 Gallon Pails (400 only)

# PTFE COMPOUNDS



## 300 PTFE INJECTABLE SEALANT/PACKING -180°F to 500°F (-117°C to 260°C) Extremely Low Temperatures – Pumps Easily

100% PTFE (fibers, fillers and particles). Lubricant carrier: Grayish color. Great Travel. Customers feedback reports use to -240°F (-151°C) Excellent resistance to most solvents and acids. (Not for use on Oxidizing Chemicals)

Shelf life is 2 years in closed container.

Packaged: 5/8" x 3" Plugs, J-Sticks, 7/8" x 6" Sticks, Gallons

**348 is a Paste Version of 300**

## 333 PTFE INJECTABLE SEALANT/PACKING -100°F to 500°F (-73°C to 260°C) Low Temperature Rated – High Fiber Concentration

100% PTFE (fibers, fillers and particles). Lubricant carrier: White color. Excellent Travel. High fiber concentration for good bridging, but flows easily. Excellent resistance to most solvents and acids. (Not for use on Oxidizing Chemicals)

Shelf life is 2 years in closed container.

Packaged: 5/8" x 3" Plugs, J-Sticks, Gallons



## 340 PTFE – GRAPHITE – ARAMID SEALANT/PACKING -40°F to 500°F (-40°C to 260°C) Very Dense – Compacts To Form A High Pressure Barrier

Good chemical resistance, good bridging capabilities, good lubricity, non-curing, remains flexible. Greenish yellow color. Average Travel. High fiber concentration for good bridging.

Shelf life is 2 years in closed container.

Packaged: 5/8" x 3" Plugs



## 350 PTFE INJECTABLE SEALANT/PACKING -25°F to 500°F (-31°C to 260°C) 100% PTFE Solids – Flagship product since 1988

100% PTFE (fibers, fillers and particles). Organic carrier: Yellow color. Good Travel. High fiber concentration for good bridging. Excellent resistance to most solvents and acids. (Not for use on Oxidizing Chemicals)

Shelf life is 2 years in closed container.

Packaged: 5/8" x 3" Plugs, J-Sticks, Gallons



## 325 PTFE INJECTABLE SEALANT/PACKING -25°F to 500°F (-31°C to 260°C)

**Best Price – 100% PTFE Solids  
- #1 Selling PTFE**

100% PTFE (fibers, fillers and particles). Organic carrier: Brown color. Good Travel. High fiber concentration for good bridging. Excellent resistance to most solvents and acids. (Not for use on Oxidizing Chemicals)

Shelf life is 2 years in closed container.

Packaged: 5/8" x 3" Plugs, J-Sticks, 7/8" x 6" Sticks, Gallons



# PTFE COMPOUNDS



## 360-FG

**PTFE INJECTABLE SEALANT/PACKING**  
**-50°F to 500°F (-45°C to 260°C)**

*Food Grade*

100% PTFE (fibers, fillers and particles). Lubricant carrier. White color. Excellent Travel. High fiber concentration for good bridging, but flows easily. Excellent resistance to most solvents and acids. (Not for use on Oxidizing Chemicals)

Shelf life is 2 years in closed container.

Packaged: Quarts, Gallons



## 383

**PTFE BASED INJECTABLE SEALANT/PACKING**

**-25°F to 500°F (-31°C to 260°C)**

*Dense Formulation – Less Carrier Extrusion*

Yellowish color. For large void fills, will bleed less carrier. Good Travel. High fiber concentration for good bridging. Excellent resistance to most solvents and acids. (Not for use on Oxidizing Chemicals)

Shelf life is 2 years in closed container.

Packaged: 5/8" x 3" Plugs, J-Sticks, 7/8" x 6" Sticks, Gallons



## 375-OX – 375-OXP

**PTFE INJECTABLE SEALANT/PACKING**  
**-50°F to 400°F (-45°C to 204°C)**

*Oxygen Grade – Dense Consistency*

100% PTFE (fibers, fillers and particles). Non-Reactive carrier. White color. Average Travel. High fiber concentration for good bridging. Excellent resistance to oxygen, chlorine, chemicals, oxidizers, solvents and acids.

**NOTE: DO NOT INJECT WITH ANY POSSIBILITY OF CONTAMINATION FROM HYDRAULIC FLUID**

Shelf life is 2 years in closed container. 375-OXP is a paste version.

Packaged: Quarts (3 lbs.)



# NON-CURING SEALANTS AND PACKINGS

## 302

### COMPRESSION SEAL INJECTABLE SEALANT

0°F to 400°F  
(-17°C to 204°C)

Gasoline – Oils –  
Hydrocarbons

Good resistance to water, Di-Ester type fluids, Diesel Fuels, Gasoline, Lubricating Oils, Greases, Aliphatic Hydrocarbons.

Shelf life is 6 months in closed container. Does not bleed carrier.

Packaged: 5/8" x 3" Plugs, J-Sticks



## 189

### GRAPHITE BASED INJECTABLE SEALANT/ PACKING EXPANDS ABOVE 380°F (193°C)

-240°F to 1800°F  
(-151°C to 982°C)

Thermal expansion above 380°F (193°C), non-curing, highly compressible, excellent travel, no carrier extrusion, limited off-gassing, durable, remains flexible at extreme temperatures.

Compatible For Use: Steam, Water, Gasoline, Alcohols, Benzene, Butane, Carbon Dioxide, Fuel Oils, Hydrocarbons, Hydrogen, Ketones, Synthetic Gases, Oils, Etc.

Shelf Life: 1 Year in closed containers.

Packaged: J-Sticks, Plugs, 7/8 x 6 Sticks



## 289

### GRAPHITE BASED INJECTABLE SEALANT /PACKING

-30°F to 1800°F  
(-34°C to 982°C)

V.O.C. Free – Excellent Travel

Reduce or eliminate Fugitive Emissions in V.O.C. valve packings. Low injection pressure required. It is highly lubricous, low friction, valve packing.

Compatible for use: Alcohols, Benzene, Butane, Carbon Dioxide, Fuel Oils, Hydrocarbons, Hydrogen, Ketones, Steam, Synthetic Gases and Oils.

Shelf life is unlimited.

Packaged: 5/8" x 3" Plugs, J-Sticks, Gallons



## 389

### GRAPHITE INJECTABLE SEALANT /PACKING

-30°F. to 1800°F  
(-34°C to 982°C)

V.O.C. Free –  
100% Graphite Solids

Reduce or eliminate Fugitive Emissions in V.O.C. valve packings. Average travel. It is highly lubricous, low friction, valve packing.

Compatible for use: Alcohols, Benzene, Butane, Carbon Dioxide, Fuel Oils, Hydrocarbons, Hydrogen, Ketones, Steam, Synthetic Gases and Oils.

Shelf life is unlimited.

Packaged: 5/8" x 3" Plugs, J-Sticks, 7/8" x 6" Sticks, Gallons



## VP-1000, VP-1200

### VALVE PACKING

VP-1000: -25°F to 600°F (-31°C to 315°C)

VP-1200: up to 1200°F (649°C)

Non Curing – Highly Lubricating

Recommended valve packing on water, steam, and air leaks. Good Bridging. It is highly lubricous, low friction, valve packing.

Shelf life is unlimited.

Packaged: 5/8" x 3" Plugs, J-Sticks

# PUMP PACKING AND EPOXY

## PUMP 99, PUMP 77

### PTFE BASED INJECTABLE PUMP PACKING

**-50°F to 450°F**  
**(-45°C to 232°C)**

*For Rotating Shaft  
Packing Glands*

Pressure: 0 to 300 PSI Shaft

Speed: up to 4150 SFM

pH range: 0 – 14 Typical

Applications: Rotary Pumps, Valves, Centrifugal Pumps, Agitators,  
Reciprocating Pumps, Mixers, Turbine Pumps, Refiners, Dryers.  
Chemical resistance.

Shelf life is 2 years in closed container. PUMP 77 is NON-STAINING.

Packaged: 5/8" x 3" Plugs, J-Sticks, 7/8" x 6" Sticks



## PUMP 44

### GRAPHITE BASED INJECTABLE PUMP PACKING

**-100°F to 1000°F**  
**(-73°C to 537°C)**

*For Rotating Shaft Packing Glands*

Applications: HIGH TEMPERATURE  
RATED. Rotary Pumps, Valves, Centrifugal  
Pumps, Agitators, Reciprocating Pumps,  
Mixers, Turbine Pumps, Refiners, Dryers.  
Chemical resistance.

Shelf life is 2 years in closed container.

Packaged: Pints (1 lb.), Gallons (10 lbs.)



## EPOXY 2020

### 1 Hour QUICK SET EPOXY Up to 400°F (204°C)

EPOXY 2020 is a two-part system that cures at room temperature (65 to 70°F / 18 to 21°C) in 1 hour.

Viscosity: EPOXY 2020 is a pourable liquid consistency. Will thicken if cold. Best at 68F or above.

Powder and Fiber fillers are included. Add to your desired consistency. If all fiber and powder is added, it will be thick enough you can roll the epoxy into a stick for injection.

Packaging: Pint Kits, Quart Kits



## 427

### 2 PART EPOXY Up to 400°F (204°C) Resin Pours - Void Fill

Deacon 427 Epoxy is a two-part system that cures at room temperature (65 to 70°F / 18 to 21°C) in 24 hours. Will harden at 65°F (18°C) in 6-8 hours. Heat curing is also an option for a faster set up time and to further increase temperature resistance.

Chemical Resistance: Highly resistant to a wide range of compounds including Caustics, Acids, Fuels, Solvents. Available in Liquid or Fiber Mix.

Void Fill Enclosures: Deacon 427 is an excellent epoxy for void fill enclosure applications. When you need to void fill an enclosure, but the line is too weak to apply injection pressure, Deacon 427 can be poured to fill the enclosure with no injection pressure, filling the void with a strong, hard, corrosion resistant epoxy that cures through a two-part chemical reaction. This can be used as a convenient, easy solution as long as no leak is present when pouring. If a leak is present and it cannot be stopped before pouring the epoxy, Deacon 427 is not recommended.

Packaged: Quarts, Gallons

Have a question,  
we are here to help.

Call: 724-225-8008

24-Hour: 800-552-2896

# BULK FIBER ADDITIVES



## Dry-Pak 8, Dry-Pak 24 Dry-Pak JC, Dry-Pak JCI BULK FIBER MIXTURE up to 950°F (510°C)

Bulk fiber mixture (dry mix) combination of fibers, fillers and dry lubricants.

Dry-Pak JC is a finer grind of Dry-Pak 8  
Dry-Pak JCI is a finer grind of Dry-Pak 24

Dry-Pak JCI and Dry-Pak 24 are dryer mixes than Dry-Pak JC and Dry-Pak 8

Applications: Additive for bulking up Deacon compounds on the job site. When additional bridging is desired or to thicken a liquid or rubber sealer: exp. Deacon 400, Deacon 770-L. Compatible Uses: Alcohols, Benzene, Butane, Carbon Dioxide, Fuel Oils, Hydrocarbons, Hydrogen, Ketones, Steam, Synthetic Gases, and Oils. Shelf Life: Unlimited, store in closed containers.

Packaged: One Gallon Pails (3 lbs.), 5 Gallon Pails (15 lbs.), Boxes (60 lbs.)

## Dry-Pak 5 PTFE POWDER/FIBER MIXTURE up to 500°F (260°C)

*For added chemical resistance*

100% PTFE fibers (various lengths), fillers and temperature range to 500°F (260°C)

Applications: Used to bulk up Deacon compounds. For added bridging capability. exp. Deacon 400

Characteristics: Excellent chemical resistance. Not recommended for Oxygen Service.

Shelf life is unlimited.

Packaged: One Gallon Pails (3 lbs.)



## Dry-Pak 3 POWDER / LIGHT FIBER MIXTURE

up to 1200°F (649°C)

*To thicken sealant or coat sealant for handling*

Light fiber and powder mixture (Dry Mix)

Applications: Additive for bulking up Deacon compounds on the job site.

When additional bridging is desired or to thicken a liquid sealer: example. 400, 770-L. (can be mixed with 400 when using 4.5 gal. pails and a volume pump.)

Compatible Use: Alcohols, Benzene, Butane, Carbon Dioxide, Fuel Oils, Hydrocarbons, Hydrogen, Ketones, Steam, Synthetic Gases, and Oils.

Shelf life is unlimited, store in closed containers.

Packaged: 1 Gallon Pails (4 lbs.), 5 Gallon Pails (20 lbs.)

Also useful to coat sealant for easier handling, example CJ-429.



## Dry-Pak 6 HIGH TEMP POWDER/ LIGHT FIBER MIXTURE up to 1500°F (816°C)

*To thicken sealant*

Dry mixture of High Temp Fibers/Fillers.

Applications: Additive to bulk up Deacon sealant compounds and refractories.

When additional bridging is desired or to thicken a compound.

Shelf life is unlimited.

Packaged: 1 Gallon Pails (3 lbs.)



## Other Dry-Pak Mixtures

<b>Dry-Pak 4</b>	PTFE Powder Mixture
<b>Dry-Pak 7</b>	Aramid Fiber Mixture
<b>Dry-Pak 10</b>	White PTFE Fiber Mixture
<b>Dry-Pak 11</b>	Food Grade PTFE Fiber/Powder Mixture
<b>Dry-Pak 12</b>	Carbon Fiber Mixture (Silica Free)
<b>Dry-Pak 14</b>	Brown PTFE Fiber Mixture
<b>Dry-Pak 15</b>	Steel Fiber Mixture
<b>Dry-Pak 16</b>	Aramid Pulp Mixture



# MAINTENANCE PRODUCTS

## Withstands Extreme Temperatures and Conditions

Deacon line consists of flange and thread sealants, sealing compounds, injectable packings and specialty products formulated to meet the needs of a diverse range of industries, from iron and steel producers, pulp and paper manufacturers, power generators, pipelines and oil refineries, to wastewater treatment plants and petrochemical producers. These products cover a wide range of pressures, temperatures, process steams and types of equipment.

### 3300

**EXTRUDED GASKET  
COMPOUND HIGH TEMP  
STRING GASKET**  
600°F to 1600°F  
(315° to 871°C)

*Heat Curing*

Deacon 3300 is a thermal reactive sealing compound of high temperature, pressure, and chemical tolerance that was designed to provide superior sealing performance on metal-to-metal surfaces, without chemical adhesion. This extruded putty-like material maintains characteristics of flexibility and pliability in its full range of operation so as to fill voids, cracks, and steam cuts.

Packaged: 1/4", 3/8", 1/2", 3/4" Diameter Rolls



### 8875-THIN

**HIGH TEMP GASKET AND  
THREAD SEALANT**  
150°F to 1800°F  
(65°C to 982°C)

*Heat Curing Paste*

Deacon 8875-Thin is a thermal reactive paste sealing compound that is used in high temperature and high pressure applications. In the presence of heat, Deacon 8875-Thin will form a mechanical ("mechanical type") seal. Deacon 8875-Thin will not cement the flanges or threads together; thus, it will not interfere with future repairs of metal-to-metal joints. Deacon 8875-Thin is unaffected by thermal cycling.

Packaged: 10.3 fl. oz. Caulking Tubes, Pints, Quarts, Gallons, 5 Gallon Pails



### 770-L

**HIGH TEMP SEALANT  
LIQUID**  
200°F to 950°F  
(93°C to 510°C)

*Heat Curing Liquid*

Deacon 770-L can be used as gasket dressing to improve the sealing capability of many gaskets. Deacon 770-L can also be applied to many types of gaskets (including spiral wound) to reseal them, thereby prolonging their useful life. Deacon 770-L can be used as the only sealant on low-tolerance metal-to-metal joints.

Packaged: Brush Top Pints, Quarts, Gallons



### PFPE GREASE

**PTFE THICKENED  
PERFLUORINATED  
POLYETHER FLUID UP TO  
-33°F TO 500°F  
(-36°C TO 260°C)**  
*Oxygen/Chlorine Service*

O-ring lubrication and protection; food processing; canning and textile equipment; solvent resistant for valve, gasket and bolt applications with railcars; lubrication of equipment used in high vacuum applications; cryogenic apparatus and pneumatic systems; and many other extreme service applications below 500°F.

Packaged: Cartridges, Quarts



### 7228

**GASKET AND THREAD  
SEALANT**  
-25°F to 450°F  
(-31°C to 232°C)

*Gasoline – Oils – Hydrocarbons*

Excellent Resistance to Oils, Water, Steam, Di-Ester Type Fluids, Diesel Fuels, Gasoline, Greases, Ethylene Glycol, Transmission Fluid, and Aliphatic Hydrocarbons. Viscous Paste, Slow Drying, Remains Pliable, Improves Reliability, Extends Gasket Life, Stops Leakage, Will Not Interfere with Future Repairs or Maintenance.

Packaged: 10.3 fl. oz. Caulking Tubes, Brush Top Pints, Quarts



### MOLD-PAC™

**DAMMING, MOLDING, AND  
POSITIONING PUTTY**

*Resistant to Extreme Temperatures*

Retains molten Babbitt and low melting point materials. Damming compound (for pouring Babbitt bearings, epoxies, various molten alloys, etc.), Vibration suppression, Positioning delicate parts, Holding solder while soldering wires on generators, Aids in positioning during welding/brazing.

Packaged: Buckets (10 lbs.), Pails (50 lbs.)



# INJECTION GUNS



## Model 2003

*Single acting hydraulic cylinder design.*

1" I.D. x 3" (2.54 cm x 7.62 cm) barrel for 5/8" Dia. & 3/4" Dia. Sticks  
 10,000 PSI max operating pressure  
 1/4 NPT or 1/2-13 NOZZLE

## Model 2005

*Single acting hydraulic cylinder design.*

1 1/2" I.D. x 9" (2.54 cm x 7.62 cm) barrel for J-Sticks.  
 10,000 PSI max operating pressure.  
 HOLDS 1 J-STICK  
 1/4 NPT or 1/2-13 NOZZLE



## Model 1700

*For pumping a variety of sealant material to 10,000 PSI max., with 100 PSI, 10 CFM AIR. Floating piston design.*

Features: Air over hydraulic operated pump. Holds 2 J-Sticks.  
 Capacity: 20" barrel – 32.5 cu inch  
 Weight: 45.5 lbs. Gun alone is 13 lbs.

Operation: To load, open by-pass valve at side of gun, unscrew carrying handle, take off barrel cap, use wooden rod to push piston to bottom of barrel. Replace cap and close by-pass valve. Connect pump to air supply and unit is ready to use.

Note: An in-line air filter and lubricator should be installed as close to the unit as possible. Otherwise pump requires 4 drops of #10 oil in air inlet for each day of use.

Performance:

Resistance (PSI)	0	5,000	10,000
Flow Rate (cu.in/min)	35	10	4
Time to empty gun (min:sec)	0:28	1:36	4:00

## Injection Gun Hardware and Accessories

<b>Gun-Pak I</b>	Description: Pumpable hose-pak, non-setting, bulk material, used to force sealant compound from hose assembly. Note: Contains no cleaning solvents. Packaged: Gallons, J-Sticks
<b>#1699-22</b>	Model 1699 Injection Gun Rebuild Kit
<b>#17D</b>	Model 1700 Injection Gun Rebuild Kit
<b>Foot Pump</b>	Air over hydraulic operated
<b>Hand Pump</b>	Manually operated hydraulic pump
<b>Pressure Gauge</b>	1/4 NPT 15,000 PSI
<b>Injection Hose</b>	18" long (457mm) x 3/8" (9.5mm) dia.

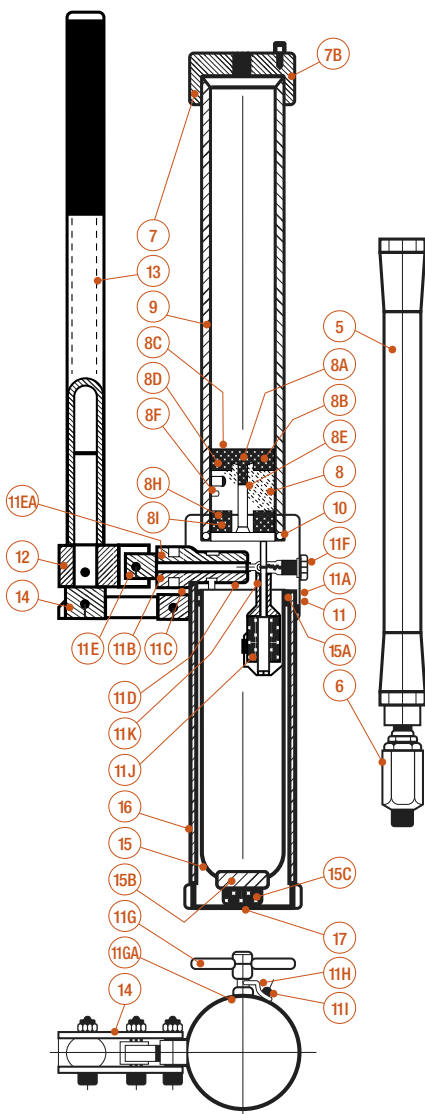
*Many more gun repair parts available – Call for details*

# INJECTION GUNS



## Model 1699 G/R

Floating piston design, 10,000 PSI max operating pressure. 3/8" high pressure hose with swivel ends and 15,000 PSI pressure gauge. 15.46 cubic inch capacity. 110 full strokes to empty.



- |  |   |   |  |
|--|---|---|--|
| 16990  | Gun Complete W/ Hose Assembly, Gauge & Tee  | 16991IFD  | Check Valve Screw                                  |
| 1699A  | Gun Complete W/ Hose Assembly Only  | 16991IFE  | Screen   |
| 1699B  | Exchange Gun (No Hose Assembly)   | 16991IG   | By Pass Valve                                      |
| 1699C  | Gun Only  | <b>16991IGA "O" Ring (By Pass Valve)</b>            |  |
| 1699D  | Gun Only W/ Body Drilled And Tapped For 1/4" Npt: Includes Gauge W/Protector      | 16991IH   | By Pass Stop                                       |
| 1699E  | Gun Only W/ Body Drilled And Tapped For 1/4" Npt: Includes Plug                   | 16991II   | Cap Screw  |
| 1699S  | Gun Complete W/ Hose Assembly, "Z" Swivel, Gauge & Tee                            | 16991IJ   | Internal Hydraulic Relief                          |
| 1699SY   | Syringe   | <b>16991IK "O" Ring (Internal Hydraulic Relief)</b> |  |
| 16991C   | Hex Plug For Coupler (3/4"-16 Nps-M X 1/8" Npt Fe)                                | 16991IKA  | Copper Washer (Internal Hydraulic Relief)          |
| 16991D   | Washer (G.b.h. Coupler)   | 169912  | Fulcrum Assembly                                   |
| 1699E  | Body (G.b.h. Coupler)   | 169913  | Handle   |
| 16992  | G.b.h. Coupler Repair Kit (Includes: Steel Button, Spring & "O"-Ring)             | 169914  | Link Assembly                                      |
| 16994  | Handle Restraint  | 169914A   | Links  |
| 16995  | Hose Center (1/2"-27 Fe X 1/4" Npt M) or (1/4" Npt-M X 1/4" Npt-M W/ Swivel Ends) | 169914B   | Stripper Bolt                                      |
| 16996  | Swivel (1/4" X 1/2"-27)   | 169914C   | Lock Nut   |
| 16997  | Grease Barrel Cap   | <b>169915 Fluid Bag W/ Bleeder</b>                  |  |
| <b>16997B "O" Ring (Grease Barrel Cap)</b>               |   | 169915A   | Seal Ring  |
| 16998  | Piston Assembly   | <b>169915B "O" Ring - Cap Screw (Fluid Bag)</b>     |  |
| 16998A   | 1/4" X 28 Cap Screw (Grease Piston)   | 169915C   | Cap Screw (Fluid Bag)                              |
| <b>16998B "O" Ring (Cap Screw-Grease Piston)</b>         |   | 169916  | Fluid Bag Barrel                                   |
| 16998C   | Outer Washer Nut  | 169917  | Fluid Bag Barrel Cap                               |
| <b>16998D Outer Leather Cup</b>                          |   | 169918  | Hex Nipple (1/4" X 1/4")                           |
| 16998E   | Piston  | <b>169919 Fluid - Pint Can (Approx. 1#)</b>         |  |
| <b>16998F "O" Ring (Grease Piston)</b>                   |   | 169919G   | Fluid - Gallon Can (Approx 8#)                     |
| <b>16998H Inner Leather Cup</b>                          |   | 169920  | Tee  |
| 16998I   | Inner Washer Nut  | 169921  | "O" Ring Minor Repair Kit                          |
| 16998J   | Spanner Wrench For Grease Piston  | 169922  | Major Repair Kit                                   |
| 16999  | Grease Barrel   | 169923  | Carrying Strap                                     |
| <b>169910 "O" Ring (Body)</b>                            |   | 169924  | Hooks (2, Per Each)                                |
| 169911   | Body Assembly   | 169925  | Harness Snaps (2, Per Each)                        |
| 169911A  | Body  | 169930  | Shut Off Relief Valve (Optional W/ Hose Assembly)  |
| <b>169911B Hydraulic Pump Cylinder</b>                   |   | 169931  | Extended Nipple For Part # 16997 Using Polypacks   |
| 169911Bj   | J-Wrench (Hydraulic Pump Cylinder)  | 169932  | Hex Plug For Coupler (3/4"-16 Nps-M X 1/4" Npt Fe) |
| <b>169911C "O" Ring (Upper -Hydraulic Pump Cylinder)</b> |   | 169933  | Carrying Case (29.5"L X 7.5"W X 7"H)               |
| <b>169911D "O" Ring (Lower -Hydraulic Pump Cylinder)</b> |   | 169950  | 0 - 15,000 Psi Gauge                               |
| <b>169911E Pump Piston</b>                               |   | 169951  | Gauge Protector                                    |
| <b>169911EA "O" Ring (Pump Piston)</b>                   |   | 1699156   | Complete Hose Assembly W/Gauge                     |
| <b>169911F Check Valve Assembly</b>                      |   | 1699158   | Hose Assembly, Less Gauge And Tee                  |
| 169911FA   | Washer (Copper)   | 1699920   | 20" Grease Barrel                                  |
| 169911FB   | 1/4" Ball   | 16992A  | Nylon Button                                       |
| 169911FC   | Spring  | 16992B  | Steel Button                                       |
|  |   | 16992C  | "O" Ring For Nylon Or Steel Button                 |
|  |   | 1699FPG   | Floating Piston Guide                              |

NOTE: PARTS NEEDED TO MAKE UP #169922 REPAIR KIT - SHOWN IN BOLD TYPE



# INJECTION HARDWARE AND WIRE

## Carbon Steel and Stainless Steel Injection Valves



STANDARD	
<b>25-B</b>	1/8" N.P.T. Male X 1/4" N.P.T. Female (also available in stainless steel)
<b>40-B</b>	1/16" N.P.T. Male X 1/4" N.P.T. Female (also available in stainless steel)
<b>44-D</b>	1/4" N.P.T. Male X 1/4" N.P.T. Female (also available in stainless steel)
<b>50-B</b>	3/8-16 Bolt Male X 3/4-10 Bolt Female
<b>55-B</b>	3/8-24 Bolt Male X 1/4" N.P.T. Female
<b>65-B</b>	3/8-16 Bolt Male X 1/2-13 Bolt Female
ENGINEERED	
<b>25-E</b>	1/8" N.P.T. Male X 1/4" N.P.T. Female
<b>40-E</b>	1/16" N.P.T. Male X 1/4" N.P.T. Female
<b>44-E</b>	1/4" N.P.T. Male X 1/4" N.P.T. Female

## Cap Nuts

4140 Steel 1/2" - 5/8" - 3/4" - 7/8" - 1"



## Other products



### Brass Wire

Descriptions: 260 Alloy

SIZE Approx	Ft./lb.
1/16" (.0625)	84.0
3/32" (.095)	42.0
1/8" (.125)	21.0
5/32" (.158)	13.0
3/16" (.188)	10.0
7/32" (.221)	6.0
1/4" (.242)	5.0
9/32" (.281)	4.5
5/16" (.312)	3.5

Note: All sizes (other than 1/16") sold as 25 lb. Rolls

### Stainless Wire

2 lb. Spools (.023 and .035 Dia.)

### Drill Bits and Taps:

Various sizes available

# BRAIDED PACKING

## TR-169

*PTFE Filament Impregnated with PTFE. Interbraid construction. Pre-lubricated to provide a softer, more flexible packing with improved peripheral speed characteristics and exothermic properties.*

Temperature Range: to 500°F

pH Range 0 – 14

PV factor 650,000.

Speeds up to 1200 FPM.

For the most severe services. All oxidizers and corrosives with one exception: Molten Alkali Metals

## TR-380

*PTFE impregnated packing. Square interbraid construction.*

Temperature Range: to 500°F (260°C)

## GR-589

*Graphite packing. Square interbraid construction. Treated with a blend of lubricants.*

Temperature Range: 450°F (232°C)

## GR-171

*Braided graphite packing. Interbraid construction. Pure homogenous graphite bonded to a fiberglass carrier for strength and thermal stability.*

Temperature Range: to 850°F (454°C) in oxidizing atmospheres, 1250°F (676°C) in steam.

## LE-236

*Low E API 622 certified flexible graphite with Inconel wire jacket.*

Temperature Range: to 850°F (454°C)



*Call for Sizes and Pricing.*

CALL FOR SIZES AND PRICING.

Call: 724-225-8008 • 24-Hour: 800-552-2896

# CONVERSIONS AND EQUATIONS

## Cubic Inches

Product	Cubic Inches
Plug (5/8" x 3")	.92
J-Stick (1 3/8" x 8")	11.8
7/8" x 6"	3.6
10.3 fl. oz. Tube	18.6
Quart (liquid or paste)	57.75
Gallon (liquid or paste)	231
4.5 gal. Pail (rubber)	1039
5 gal. Pail (liquid or paste)	1155
1 cubic foot	1728

## Cubic Area

In <sup>3</sup>	Cm <sup>3</sup> x 0.06102
Cm <sup>3</sup>	In <sup>3</sup> x 16.3871

## Length

in	cm x 0.3937
cm	in x 2.54

## Temperature

°F	°C x 1.8 + 32
°C	(°F - 32) x .55

## Pressure

PSI	Bars x 14.5038
Bars	PSI x 0.06895

## Accelerator Ratio

J-Stick	1 tablespoon / 16g
Quart	2 oz. / 57g
Gallon	1/2 lb. / .22kg

## Compression Ratio (Gallon)

Product	Ratio	Lbs.	PSI
	<i>Gallons to yield 231 cubic inches compressed</i>	<i>Per Gallon</i>	<i>Injection pressure (PSI) through 3/16" dia.</i>
<b>189</b>		Not in gallons	430
<b>289</b>	1.36:1	10.88	140
<b>300</b>	1.79:1	8	187
<b>302</b>		Not in gallons	214
<b>325</b>	1.88:1	8	242
<b>333</b>	1.86:1	8	222
<b>340</b>		Not in gallons	390
<b>350</b>	1.88:1	8	244
<b>383</b>	2:01	8	275
<b>389</b>	1.50:1	8.5	269
<b>454</b>	1.47:1	9.5	212
<b>464</b>		Not in gallons	169
<b>560</b>	1.15:1	9.5	62
<b>909</b>		Not in gallons	270
<b>911</b>		Not in gallons	394
<b>990</b>	1.40:1	10	170
<b>3100-S</b>	1.33:1	9.5	117
<b>360-FG</b>	1.15:1	10	200
<b>375-OX</b>	1.33:1	12	188
<b>402-CF</b>		Not in gallons	166
<b>454-T</b>		Not in gallons	163
<b>720-SF</b>		Not in gallons	196
<b>CJ-429 (paste)</b>	1.00:1	11	minimal
<b>CJ-429 (plug)</b>		Not in gallons	176
<b>CV-600</b>	1.84:1	8.12	133
<b>F-150</b>	1.33:1	8	135
<b>F-250</b>	1.43:1	8	183
<b>F-50</b>		Not in gallons	344
<b>PUMP 99</b>		Not in gallons	361
<b>Seal-Chief</b>		Not in gallons	131
<b>VP-1000</b>	1.52:1	Not in gallons	135
<b>VP-1200</b>	1.67:1	Not in gallons	234

Compression ratio APPLIES TO BULK PACKAGING ONLY.

(@ ambient temp and 2200 psi.)

For J-Sticks and Plugs see chart on opposite side of page.

Note: Compression may be slightly higher when compressed at higher pressure and some cook off may occur at high temperatures.



# STEAM SERVICE

## Curing Compounds

Product	Temp Limit	Valve Packing	Sealant	Description	Application	Add Accelerator (Optional)	Packaged
<b>F-250</b> <b>F-150</b> <b>F-50</b>	950°F 510°C	YES	YES	Black, fibrous, semi flexible material	General purpose steam, valves, flanges, enclosures	Below 450°F 232°C	5/8" x 3" Plugs J-Sticks Gallons
<b>560</b> <b>454</b> <b>454-T</b> <b>990</b>	950°F 510°C	NO	YES	Brown, dense, pliable	Flanges, clamps, enclosures	Below 500°F 260°C	5/8" x 3" Plugs J-Sticks Gallons
<b>909</b> <b>CV-600</b> <b>720-SF</b>	950°F 510°C	NO	YES	Extremely dense (909) Heavily fibered paste (CV-600)	High pressure steam, gaps, bad blows, flanges, enclosures	Below 550°F 288°C	5/8" x 3" Plugs J-Sticks Gallons
<b>770</b>	950°F 510°C	NO	YES	Paste or liquid, excellent travel	Flanges, enclosures, threads, tight gaps	Below 550°F 288°C	Quarts Gallons
<b>402-CF</b>	500°F 260°C	NO	YES	Semi-solid extruded rubber	Flanges, enclosures	N/A	5/8" x 3" Plugs J-Sticks
<b>400</b>	450°F 232°C	NO	YES	One part rubber compound	Flanges, enclosures, clamps	N/A	10.3 fl. oz. Tubes, 1 Gal. Pails, 4.5 Gal. Pail
<b>410</b>	600°F 315°C	NO	YES	One part rubber compound	Flanges, enclosures, clamps	N/A	10.3 fl. oz. Tubes, 1 Gal. Pails
<b>911</b>	1600°F 871°C	NO	YES	Black, extremely dense, fibrous putty	Clamps, Enclosures, Perimeter Seals, Wire Wraps, Flanges	N/A	5/8" x 3" Plugs J-Sticks
<b>DEACONTITE</b>	1200°F 649°C	NO	YES	Black, liquid sealant	Clamps, Enclosures, Perimeter Seals, Reinjections, Flanges, Gaskets, Threaded Applications	N/A	Quarts
<b>SEAL-CHIEF</b>	1600°F 871°C	NO	YES	Black, dense paste	Clamps, Enclosures, Perimeter Seals, Wire Wraps, Flanges	N/A	5/8" x 3" Plugs J-Sticks

# STEAM SERVICE AND WATER SERVICE

## Non-Curing Compounds

Product	Temp Limit	Valve Packing	Sealant	Description	Application	Packaged
<b>VP-1000</b>	600°F 316°C	YES	YES	Fibrous, lubricating	Valves and enclosures	5/8" x 3" Plugs J-Sticks
<b>340</b>	500°F 260°	YES	YES	PTFE / graphite, fibrous	Valves, flanges, enclosures	5/8" x 3" Plugs
<b>300, 325 333, 350</b>	500°F 260°C	YES	YES	PTFE fibers and fillers suspended in blended carriers	Valves, flanges, enclosures	5/8" x 3" Plugs J-Sticks Gallons
<b>189 289 389</b>	1800°F 982°C	YES	YES	Graphite based, fibrous	Valves, flanges, enclosures	5/8" x 3" Plugs J-Sticks Gallons
<b>VP-1200</b>	1200°F 649°C	YES	YES	Fibrous, lubricating	Valves, flanges, enclosures	5/8" x 3" Plugs J-Sticks

## Super Heated Steam 800°F and above

Product	Temp Limit	Valve Packing	Sealant	Description	Applications	Curing	Packaged
<b>CJ-429 CJ-650</b>	To 1800°F To 982°C	NO	YES	Sealant Refractory Hybrid Paste or Putty	Clamps, enclosures, flanges	YES	5/8" x 3" Plugs J-Sticks Gallons
<b>464</b>	To 1350°F To 732°C	NO	YES	Brown, dense, pliable	Flanges, enclosures	YES	5/8" x 3" Plugs J-Sticks
<b>411</b>	To 1350°F To 732°C	NO	YES	Brown liquid	Tight gaps, threads, excellent travel	YES	Quarts
<b>189 289 389</b>	To 1800°F To 982°C	YES	YES	Graphite sealant, Thick putty	Flanges, enclosures, threads, tight gaps	NO	5/8" x 3" Plugs J-Sticks Gallons
<b>VP-1200</b>	To 1200°F To 649°C	YES	YES	Lubricating valve packing/sealant	Flanges, enclosures	NO	5/8" x 3" Plugs J-Sticks

# STEAM SERVICE AND WATER SERVICE

## Water Service

Product	Temp Range	Valve Packing	Sealant	Curing	Description	Application	Additional Bridging	Package
<b>400 410</b>	-85°F to 450°F -65°C to 232°C (410, to 600°F/315°C)	NO	YES	YES	One part rubber compound	Flanges, enclosures, clamps	Dry-Pak 1,3,8,16	10.3 fl. oz. Tubes, 1 gal. Pails, 4.5 gal. Pails
<b>402-CF</b>	-50°F to 500°F -46°C to 260°C	NO	YES	YES	Semi-solid extruded rubber.	Flanges, enclosures, clamps	N/A	5/8" x 3" Plugs J-Sticks
<b>VP-1000</b>	-25°F to 600°F -32°F to 316°C	YES	YES	NO	Fibrous, lubricating	Valves, enclosures	N/A	5/8" x 3" Plugs J-Sticks
<b>300 325 340 350</b>	-180°F to 500°F -117°C to 232°C	YES	YES	NO	PTFE fibers and fillers suspended in blended carriers	Flanges, enclosures, clamps, valves	Dry-Pak 5,14	5/8" x 3" Plugs J-Sticks Gallons





# BOILER FEED WATER AND CONDENSATE

Because of the elevated temperatures and pressures, BOILER FEED WATER can be one of the toughest applications. 560, 911, Seal-Chief, 990 and CV-600 are the recommended compounds. We also recommend that Deacon accelerator be added to 560, 990, and CV-600 when sealing BOILER FEED WATER. The accelerated cure time is essential to containing and sealing the leak, because of the aggressive nature of this application.

When the application is CONDENSATE, 560, 911, Seal-Chief, 990 and CV-600 are also excellent choices. Remember when the process is BOILER FEED WATER or CONDENSATE; always add 103-P Accelerator. (except for 911 or Seal-Chief).

At temperatures of up to 500°F (260°C), 402-CF Rubber Compound can also be used on CONDENSATE and Boiler Feed Water applications.

Product	Valve Packing	Sealant	Temp Limit
<b>990</b> <b>CV-600</b>	NO	YES	950°F/510°C
<b>560</b>	NO	YES	950°F/510°C
<b>340</b>	YES	YES	500°F/260°C
<b>402-CF</b>	NO	YES	500°F/260°C
<b>911</b>	NO	YES	1600°F/871°C
<b>DEACONTITE</b>	NO	YES	1200°F/649°C
<b>SEAL-CHIEF</b>	NO	YES	1600°F/871°C

## Boiler Feed/Condensate Compounds (Silica Free)

### 720-SF

*Fibrous sealant mixture with a thermally reactive base*

**250°F to 950°F (121°C to 510°C)**

### 411 Liquid

*Thick liquid sealant with thermally reactive base*

**600°F to 1350°F (315°C to 732°C)**

### Dry-Pak 12

*Mixture of dry fibers for added bridging capability*

**up to 1350°F (732°C)**

### SF-ACC

*Accelerate the cure rate of Deacon 720-SF and Deacon 411 Liquid*

## Line Kill/Valve Kill

When you want to kill or plug, a line or valve, the compound choice will depend on the process and the temperature of the application. For STEAM, BOILER FEED WATER, or CONDENSATE, 560, 990, CV-600, 402-CF, 911, DEACONTITE, SEAL-CHIEF and 400 Grade Rubber are the recommended compounds. (For other applications, chemicals, etc. refer to the Deacon Application Reference Guide). 103-P Accelerator should be added to 990, 560 and CV-600 to accelerate the cure time. The quicker cure time is a valuable asset when killing or plugging a line or valve. 560, 990, CV-600 and 400 Grade Rubber can all be bulked up for additional bridging with Dry-Pak Fiber Mixtures. 911, Seal-Chief, and Deacontite cure the fastest and hardest.

Product	Valve Packing	Sealant	Temp Limit
<b>990</b> <b>CV-600</b> <b>560</b>	NO	YES	950°F/510°C
<b>400</b>	NO	YES	450°F/232°C
<b>410</b>	NO	YES	600°F/316°C
<b>402-CF</b>	NO	YES	500°F/260°C
<b>911</b>	NO	YES	1600°F/871°C
<b>DEACONTITE</b>	NO	YES	1200°F/649°C
<b>SEAL-CHIEF</b>	NO	YES	1600°F/871°C



# EXTREME HEAT

## Extreme Hot Air, Gases, Super Heated Steam

For these applications Deacon gives you the flexibility of choosing a sealant compound at temperatures where previously, refractory products may have been your only option.

### CJ-429 or CJ-650

*Sealant/Refractory Hybrid to 1800°F (982°C).*

Excellent resistance to thermal shock, not brittle like ceramics or mortars.



### 189, 289 or 389

*Graphite based to 1800°F (982°C).*

Sealant/packing will remain flexible at elevated temperatures



## Injectable Refractories/Hot Air Repair



### 7000

*Pumpable insulating compound.*

Best insulator; sets firm, not brittle. Allows for movement. 250°F (121°C) to 2000°F (1093°C) (K-Factor results available)

#### **Procedural Warning:**

During the curing process these compounds will release moisture in the form of steam. The containment enclosure that this compound is injected into must contain a sufficient number of vent ports so as to allow the steam to escape and to avoid a buildup of pressure within the enclosure. The design calculations of your hardware should take into account both the proper number and size of vent ports as well as the injection pressure of the compound. Compound should be injected at a rate that will allow you to monitor the internal pressure of the hardware to avoid over pressurization of either the leak sealing hardware or the original equipment.

We do not recommend pre-packing the hardware or beginning the injection process without the presence of a heat source. This is a thermal curing compound. A heat source (min. of 250°F/121°C) must be present during the injection process. The injection process must insure that the compound is exposed to heat upon introduction to the hardware to avoid pockets of uncured material and the potential internal pressure buildup. Failure to heed this warning could lead to catastrophic failure of the original equipment or the leak sealing hardware.



# HOT OIL, DOWTHERM AND GASOLINE

3100-S, 302 and 404 are the recommended compounds for sealing HOT OIL and GASOLINE.

3100-S and 302 can also be used on DOWTHERM.

## Deacon 404

### 2 PART RUBBER SEALANT

**-88°F to 230°F (-66°C to 110°C)**

Not for use on Dowtherm

## Deacon 302

### NON-CURING

**0°F to 400°F (-18°C to 204°C)**

## Deacon 3100-S or 454

### HEAT CURING

**250°F to 950°F (121°C to 510°C).**

Add accelerator below 500°F (260°C)

## LOW E

### EZY-PAK EXTREME®

#### LOW-E INJECTABLE VALVE STEM PACKING

Ideal for refining petrochemical, chemical, pipeline and wellhead valve maintenance needs, Ezy-Pak Extreme is an enhanced low-emission (Low-E) formulation using a balance of molybdenum disulfide and surface-modified oxidation inhibited graphite. This unique combination provides lubrication and enhanced seal energizing properties for a wide variety of temperatures and pressures. Its composition offers an easy flow characteristic into valve stuffing boxes using conventional injectable guns. Ezy-Pak Extreme assures protection against rust, oxidation, and corrosion, and it will not harden, evaporate, or dry out. It's specially formulated for Drill & Tap (D&T) Programs to assist and seal packing materials where fugitive emissions concerns are present. It will help seal once the packing material is considered to have failed, or is found leaking above the allowed threshold. This blend of components prevents backflow of gases and caustic liquids.

EZY-PAK Extreme has no reportable VOC's, conforms to the EPA leak definitions and warranty requirements

**ALSO SOLD IN A FIBERED VERSION:  
Ezy-Pak Extreme FA**

#### APPLICATIONS

- Drill & Tap applications
- All adjustable valves and pumps with packing
- Gate
- Globe
- Choke
- Knife
- Plug
- Flow Control
- Safety
- Rotating Pumps

#### BENEFITS

- Will not harden
- Soft setting formula
- No off gassing
- Synthetic-blend
- Easily pumpable
- Wide temperature range
- No-VOC's
- Certified Low-E
- Conforms to EPA protocol
- Conforms to 624 test protocol
- Compatible with all packing, and nylon, tfe, rubber o-ring materials
- Suited for all metals and high nickel alloys
- US Patent No. 11,359,746 and Patents Pending



# SPECIALTY APPLICATIONS

## Oxygen/Chlorine Service

375-OX Sealant Compound was tested and passed the requirements of the liquid oxygen impact sensitivity tests. The tests were run at an energy level of 72 ft-lbs according to specification ASTM D2512. These certifications are available for shipment with your order. Deacon 375-OX tested at NASA White Sands Test Facility.



## V.O.C. Service

289 and 389 are V.O.C. service compounds. These are graphite based compounds for use when working on applications where V.O.C.'s emitting from the leak are detected by an organic vapor analyzer (O.V.A. Meter). 389 has a solid content of 100% graphite. Both compounds are non-curing and have good bridging capabilities.



## Clean Line Sealants/ Nuclear

Deacon manufactures a line of Commercial Grade sealants and packings that are supplied with a batch analysis report for low melting point metals, halogenated compounds and sulfur and its compounds. High Temperature Thermosetting Compound, Liquid Rubber Compound, Extruded Rubber, Dry-Pak Mixture, Non-Curing Valve Packing, Graphite Packing, and Accelerator. Contact us for tech sheets and SDS information.



## Importance of Using Accelerator

Deacon thermosetting resin based compounds will state on the tech sheet that curing can be accelerated by the use of 103-P accelerator. Understanding the importance of using accelerator is critical to getting the maximum performance from these thermosetting compounds.

In applications under 600°F (315°C) and or applications of a large volume of compound, Deacon accelerator can reduce the cure time by as much as 75%. 103-P Accelerator is not a catalyst. Heat must still be present to achieve a cure, but when using accelerator in the presence of heat, the cure will take place much quicker than without accelerator

This accelerated cure rate can be critical, especially in applications on boiler feed water (extremely moist and high volume) or thick cross sections of compound (where the compound will cure closest to the heat, but then insulate itself from the heat) and in applications of high pressure (quicker cure will allow compound to bridge gaps). It is not recommended to use accelerator over 600°F. This can cause the compound to cure too quickly and cause a powdering effect of the compound.

Application Instructions: Follow usage recommendations on tech sheets and labels for recommended amount of accelerator to be used. 103-P accelerator is a powder. For best results, flatten out compound and pour recommended amount evenly down the center. Fold the compound around the accelerator and knead the accelerator into the compound as thoroughly as possible. Upon injection, accelerator will become more thoroughly mixed into compound. It is also possible to add accelerator to 770 Liquid and dip the Plugs and J-Sticks into the 770- L before injecting. Refer to SDS before using. Wear proper protection.

***This information is only intended as a guide. Cure times will vary based on actual conditions.***

## Safety Report #32691

DEACON Has issued the following report, in response to our customers' requests for additional information, on safe working practices using Deacon on-line injectable sealants and packings.

Deacon compounds are formulated with two goals in mind. One is to work aggressively, simply, and consistently to seal leaking flanges, valves, enclosures, etc., with a minimal amount of injection pressure thus creating a flexible type seal, that reduces and in some cases, eliminates the need for re-pumps.

Secondly, to formulate a compound that can be used safely and without excessive risk to the technician in the field and the environment.

Due to the nature of the on-line leak sealing business, you as a technician are commonly interacting with various types of situations involving extreme temperatures, pressures, and a wide range of commercial chemicals. We are quite sure that each contractor has their own safety programs already in place to handle the many situations that arise every day.

With questions pertaining to Deacon Compounds at elevated temperatures (150°F/66°C) and above, here are our recommendations as the manufacturer:

- All sealant compounds when heated go through a process of releasing gases or vapors known as (out gassing or gassing off). This enables the compound to in some cases cure and change its consistency from a paste or semi-solid to a tough, durable, flexible gasket like solid.
- Application such as large open end buildings (steel mill type), or piping systems outside where vapors cannot gather and there is sufficient air movement, respirators may not be needed.
- Applications where vapors may collect such as small boiler rooms, tunnels, manways, and enclosed areas, vapors may be controlled through various mechanical means. These may include fans and exhaust systems, opening doors, windows, and respirators are recommended.
- Applications and or situations where mechanical means of controlling vapors and gases is not an option then respirators or self contained breathing apparatus is recommended.
- When removing an enclosure, flange ring, or separating flanges, and the cured compound is to be sanded or mechanically ground, we recommend that the surface area be kept wet with water as to form a sludge rather than create a dusty situation. Always avoid breathing any forms of dusts or vapors.
- In choosing the right respirator, canisters approved for solvent and organic vapors are recommended.
- In our opinion Deacon Compounds are safe, and easy to work with by professionally trained personnel when using common sense and following the proper safety procedures.
- Wear full face shield and skin protection if determined necessary.
- Consult Deacon SDS and technical information before use.

The situations covered here pertain to the use of Deacon Compounds. Each situation must be evaluated as to the chemical being sealed, the plant atmosphere, and safety regulations at each work site.

Final safety decisions on respirators, protective clothing, safety procedures, etc., should be an on-site determination by plant safety personnel, the technician, and his supervisors.

Please call us at (724) 225-8008 with any safety questions regarding Deacon Compounds Safety Department

## Injection and Compression Outgassing Pressure Build Up

Deacon injectable packings and sealants are manufactured in a variety of consistencies. They range from liquids and pastes, to putty-like compounds. Formulated for various types of leaks, these materials are designed to be injected with minimal injection pressure.

These products consist of fibers, fillers, resins, and solvents. The solvents aid in storage, shelf- life, and adjusting the final consistency of the end product. The carriers (resins) and solvents are determined by the service temperature, application, and media to be sealed. Because of the thick viscosity of the ingredients, during the mixing operation some air is trapped inside the compound. When injected under gun pressure some compression of the material will occur.

When injected under temperature and pressure, the compounds go through a chemical and physical change known as COOK-OFF. This process allows for the material to release the solvents and gas off which begins the curing process. Also, be aware that gases or liquids venting can be flammable. Each application should be evaluated to determine if precautions need to be taken to avoid a flash or fire. (see Flash Points and Flammability on pg. 24)

After cook-off occurs, some shrinkage, pocketing, and honeycombing may occur. In this situation re-injection of additional material will be needed to compress the cured compound and refill any remaining voids.

This re-injection process insures that a dense, strong, long lasting seal is achieved.

Manufacturer recommendations for injection pressures should be strictly adhered to with reasonable safeguards in place. When the compounds are cooking off and curing, vapors and gases are given off. This could cause some pressure to develop in a closed application.

Most gassing-off occurs during the initial injection when the injection valves are open and the gases are readily vented providing that adequate temperature is present. Steps should be taken to assure that the injection pressure in conjunction with any pressure that may occur from curing (gassing-off), does not exceed the pressure limitations of the piping system.

The information and recommendations of DEACON concerning these products, is based upon laboratory tests, customer feedback and experience, and to the best of our knowledge and belief are true and accurate. Since conditions of actual use are beyond our control, the recommendations or suggestions are made without warranty, expressed or implied.

# SAFETY

## Flash Points & Flammability

In regards to safety in the workplace, we would like to caution Technicians as to the following:

It is quite common that you will be working on applications where the temperature of the job exceeds the flash point of the compound recommended. This is true not just of Deacon Compounds, but with many common place industrial sealants and lubricants. Be sure to familiarize yourself with any technical information that is available as well as the SDS before injecting any compound. Always be aware of the possibility of a flash, and the hazards that can result.

Every effort should be taken to eliminate the possibility of a flash or a fire. Following are some helpful recommendations that should be considered.

- Always have the appropriate fire extinguishing device(s) readily available and make certain that all personnel are trained to use the device correctly.
- When applicable a purge or shield can be used to reduce the risk of a flash. The type of purge or shield (Steam, Nitrogen, etc.) will depend upon the application and process being sealed. Check with your Safety Department or Plant Personnel to determine what is best for your specific requirement.
- Remove excess compound that may accumulate through extrusion or cook-off, from any hot surfaces, and maintain a clean working environment throughout your procedure.
- Remove or cover any insulation to avoid buildup of compound that may create an oxygen rich environment with a flash or an auto ignition type hazard.
- Always have the appropriate respirator available (see safety report #32691) to reduce personal exposure to off gases.

Safety should always be addressed through your companies recommended procedures, and in conjunction with plant personnel recommendations.

**Flash point:** The temperature at which a liquid or volatile solid gives off vapor sufficient to form an ignitable mixture with the air near the liquid or solid surface.

**Auto-Ignition point:** The minimum temperature required to initiate or cause self- sustained combustion in any substance in the absence of a spark or flame.

## Warning Concerning Ambient Injections

Applications Injected and then brought up to operating temperature, can be a problem

Due to circumstances that make it impossible or unsafe to perform a leak sealing injection at operating temperature, you may be asked to pre-pak or pre-inject an application that will then be brought up to operating temperature.

This is not the recommended way to perform a leak sealing injection.

In these situations several start-up factors need to be addressed and precautions taken:

- Will the compound expand when heated?
- Will it cure properly?
- Will there be compound extrusion?
- Will sealant gassing-off factors result in excess internal pressure?
- Is there a concern of carrier or solvent extrusion causing a flash?
- Is there any possible way to safely heat the unit while injecting to avoid an ambient injection situation?

Discussing these factors and other possible concerns with the plant personnel is of the utmost importance before performing any injection of this type. A strategy must be mapped out in advance that addresses these concerns and assures a safe and successful leak sealing operation.



# CHEMICAL COMPATIBILITY APPLICATION CHART

Acetaldehyde	G, I, K, M, P, S, T
Acetic Acid less than 50%	I, K, M, P, S, T
Acetic Acid to 10%	G, K, M, Q, S
Acetic Acid to 100%	K, M, P, S, T
Acetic Acid to 100% to 200°F	I, K, M, S
Acetic Acid, Glacial	K, M, P, S, T
Acetic Acid, Glacial to 300°F	I, K, M, P, S, T
Acetic Acid, Isobutyl Ester	B, C, D, E, I, K, M, S, T, V
Acetic Anhydride	I, K, M, P, S, T
Acetic Ether	B, C, D, E, I, K, M, P, S, T, V, W
Acetic Oxide	I, K, M, P, S, T
Acetone	B, C, D, E, I, K, M, P, S, T, V, W
Acetonitrile	B, D, I, J, K, M, P, T, V, W
Acetophenone	B, C, D, E, K, M, P, S, T, V, W
Acetophenone to 300°F	I, K, M, P, S
Acetoxyethane	B, C, D, E, I, K, M, P, S, T, V, W
Acetylbenzene	E, K, M, P, S, T, V, W
Acetylene	B, C, D, E, G, I, J, K, M, P, S, V, W
Acetylene Trichloride	K, S, T
Acid Gas	B, C, D, E, F, I, K, M, P, Q, S, T, V, W
Acraldehyde	B, C, D, E, I, K, M, P, R, S, T, V, W
Acrolein	B, C, D, E, I, K, M, P, R, S, T, V, W
Acrylic Acid	I, K, M, P, S, T
Acrylic Acid Ethyl Ester	A, C, E, K, M, P, S, T, V, W
Acrylic Acid Methyl Ester	B, C, D, E, I, J, K, M, P, S, T, V, W
Acrylonitrile	B, C, D, E, K, M, P, S, T, V, W
Adipic Acid	B, C, D, E, I, J, K, M, P, R, S, T, V, W
Air over 450°F	B, C, D, E, F, G, M, V, W
Air to 450°F	G, I, J, K, M, P, Q, S, T
Alcohol	G, I, K, M, P, Q, R, S, T
Alcohol: Propyl	B, C, D, E, G, K, M, P, Q, S, T, V, W
Alcohol: Propyl to 200°F	G, R, I, K, M, P, S, T
Alcohol, Isobutyl	B, C, D, E, G, K, M, P, S, T, V, W
Alcohol, Isobutyl to 300°F	G, I, K, M, P, S, T
Aldehydes	B, C, D, E, K, M, S, T
Aldehydes to 200°F	I, K, M, P, S, T
Aliphatic Amines	B, C, D, E, K, M, P, S, T, V, W
Alkylate	A, B, C, D, E, J, K, M, P, Q, S, T, V, W
Allyl Chloride	B, C, D, E, I, J, K, M, P, S, T, V, W
Alpha-Methylbenzyl Alcohol	B, C, D, E, K, M, P, S, T, V, W
Aluminum Bromide	I, K, Q, R, S, T
Aluminum Chlorhydrate	K, S, T
Aluminum Chlorhydroxide	K, S, T

## DEACON SEALANT

- (A) 3100-S
- (B) F-50, F-150, F-250
- (C) 454-T, 560, CV-600, 720-SF, 909, 911, 990, Deacontite, Seal-Chief
- (D) 770-L, 770P
- (E) 411, 440-T, 454, 464
- (F) CJ-429, CJ-650
- (G) 400, 410
- (I) 402-CF
- \* (J) 302
- \* (K) 300, 325, 333, 348, 350, 360-FG, 383
- \* (M) 189, 289, 389
- \* (N) 375-OX, 375-OXP
- \* (P) 340
- (Q) 404, 404-L
- (R) 460
- (S) 427, Epoxy 2020
- \* (T) DP# 4, DP# 5, DP# 10, DP# 11, DP# 14
- \* (V) DP# 3, DP# 6, DP# 7, DP# 8, DP# 12, DP# 16, DP# 24, DP-JC, DP-JCI
- (W) 103-P, SFACC
- \* Non-Curing Compound

Listed compound recommendations are based on chemical compatibility. Compounds are not listed in order of preference. Application conditions (temperature, pressure, etc.) and sealant performance requirements should be considered when making your compound selection.

SCAN TO VIEW CHEMICAL COMPATIBILITY CHART



# CHEMICAL COMPATIBILITY APPLICATION CHART

Aluminum Chloride	I, K, S, T
Aluminum Chloride Hydroxide	K, S, T
Aluminum Salt Solution	I, K, S, T
Amines	B, C, D, E, G, K, M, P, S, T, V, W
Amino Benzene	B, C, D, E, I, J, K, M, P, R, S, T, V, W
Amino Cyclohexane	B, C, D, E, I, J, K, M, S, T, V, W
Aminocyclohexane	B, C, D, E, I, J, K, M, S, T, V, W
Aminoethane	B, C, D, E, K, M, P, S, T, V, W
2-(2-Aminoethoxy)ethanol	B, C, D, E, K, M, P, S, T, V, W
Aminomethane	B, C, D, E, I, J, K, M, P, S, T, V, W
m-Aminonitrobenzene	E, I, K, S, T, V, W
2-Amino Pentane	I, J, K, M, S, T
Ammonia (Gas)	E, G, I, K, Q, P, M, S, T, V, W
Ammonia (Liquid)	E, G, I, K, M, P, S, T, V, W
Ammonia (Liquid) to 200°F	G, I, K, M, S, T
Ammonia Anhydrous	E, K, M, P, T
Ammonia Anhydrous to 300°F	I, K, M, P, T
Ammonium Acetate	G, K, M, P, S, T
Ammonium Bichromate	N
Ammonium Chloride	I, K, Q, S, T
Ammonium Dichromate	N
Ammonium Hydroxide	G, I, K, M, R, S, T
Ammonium Muriate	I, K, Q, S, T
Ammonium Nitrate	N
Ammonium Phosphate, Dibasic	B, C, D, E, G, I, J, K, S, T, V, W
Ammonium Polysulfide	I, K, R, S
Ammonium Sulfate	B, C, D, E, G, I, J, K, M, P, S, T, V, W
Ammonium Sulfide	I, K, R, S
Amprolene	N
Amyl Alcohol	I, K, M, P, Q, R, S, T
Amyl Chloride	E, K, M, P, S, T, V, W
Amyl Hydride	A, B, C, D, E, J, K, M, P, S, T, V, W
Aniline	B, C, D, E, I, J, K, M, P, R, S, T, V, W
Anilino Benzene	B, C, D, E, J, K, M, P, S, T, V, W
Anthium Dioxide	N
Aqua Ammonia	I, K, M, R, S, T
Argon	A, B, C, D, E, G, I, J, K, M, P, S, T, V, W
Aromatic Solvent	A, B, C, D, E, J, K, P, M, S, T, V, W
Arsenic	A, B, C, D, E, I, J, K, M, P, S, T, V, W
Aviation Fuel	A, B, C, D, E, J, K, M, P, Q, R, S, T, V, W
Asphalt	B, C, D, E, J, K, M, P, Q, S, T, V, W
Barium Chloride	B, E, G, I, K, M, P, Q, R, T, V, W
Barium Salt Solution	B, E, G, I, K, M, P, Q, R, T, V, W

## DEACON SEALANT

- (A) 3100-S
- (B) F-50, F-150, F-250
- (C) 454-T, 560, CV-600, 720-SF, 909, 911, 990, Deaconite, Seal-Chief
- (D) 770-L, 770P
- (E) 411, 440-T, 454, 464
- (F) CJ-429, CJ-650
- (G) 400, 410
- (I) 402-CF
- \* (J) 302
- \* (K) 300, 325, 333, 348, 350, 360-FG, 383
- \* (M) 189, 289, 389
- \* (N) 375-OX, 375-OXP
- \* (P) 340
- (Q) 404, 404-L
- (R) 460
- (S) 427, Epoxy 2020
- \* (T) DP# 4, DP# 5, DP# 10, DP# 11, DP# 14
- \* (V) DP# 3, DP# 6, DP# 7, DP# 8, DP# 12, DP# 16, DP# 24, DP-JC, DP-JCI
- (W) 103-P, SFACC
- \* Non-Curing Compound

Listed compound recommendations are based on chemical compatibility. Compounds are not listed in order of preference. Application conditions (temperature, pressure, etc.) and sealant performance requirements should be considered when making your compound selection.

SCAN TO VIEW CHEMICAL COMPATIBILITY CHART



# CHEMICAL COMPATIBILITY APPLICATION CHART

Basic Lead Acetate	B, C, D, E, I, K, M, P, S, T, V, W
Battery Acid (Sulfuric Acid)	K, S, T
Benzaldehyde	A, B, C, D, E, I, J, K, M, P, S, T, V, W
Benzene	A, B, C, D, E, J, K, M, P, S, T, V, W
Benzene Carbaldehyde	A, B, C, D, E, I, J, K, M, P, S, T, V, W
Benzene Chloride	B, C, D, E, I, J, K, M, P, S, T, V, W
o-Benzene Dicarboxylic Acid	I, K, R, M, S, T
Benzene Formic Acid	K, T
Benzene Isopropyl	B, C, D, E, J, K, M, P, R, S, T, V, W
Benzene Sulfonic Acid	K, S, T
Benzeneamine	B, C, D, E, I, J, K, M, P, R, S, T, V, W
Benzenecarbinol	B, C, D, E, K, M, P, T, V, W
Benzine	A, B, C, D, E, J, K, M, S, T, V, W
Benzinoform	B, C, D, E, K, S, T, V, W
Benzoate	K, T
Benzohydroquinone	B, C, D, E, I, J, K, M, P, S, T, V, W
Benzoic Acid	G, K, T
Benzoic Aldehyde	A, B, C, D, E, I, J, K, M, P, S, T, V, W
Benzoline	A, B, C, D, E, J, K, M, P, Q, S, T, V, W
Benzyl Alcohol	B, C, D, E, G, K, M, P, S, T, V, W
Benzyl Alcohol to 300°F	I, K, M, P, S, T
Benzyl Carbinol	B, C, D, E, K, S, T
Berthollet Salt	N
Biethylene	M (Except 289)
Bimethyl	A, B, C, D, E, J, K, M, P, Q, S, T, V, W
Biphenyl	E, K, M, R, S
Black Liquor	A, B, C, D, E, I, J, K, M, P, S, T, V, W
Bleach (Sodium Hypochlorite)	I, K, T
Boiler Feed Water	B, C, D, E, G, I, K, M, P, T, V, W
Boric Acid	B, C, D, E, G, I, J, K, M, P, R, S, T, V, W
Boron Trifluoride	E, J, K, M, S
Brine Water	B, E, G, I, K, S, T, V, W
Bromethane	B, C, D, E, K, M, P, S, T, V, W
Bromic Ether	B, C, D, E, K, M, P, S, T, V, W
Bromine	N
Bromomethane	B, C, D, E, J, K, M, P, R, S, T, V, W
Bunker Oil	A, B, C, D, E, J, K, M, P, Q, S, T, V, W
Butanal	B, C, D, E, I, J, K, M, P, S, T, V, W
Butane	A, B, C, D, E, J, K, M, P, Q, R, S, T, V, W
1,3 Butadiene	M (Except 289, 489)
Butanedioic Acid	B, C, D, E, G, K, M, P, R, S, T, V, W
Butanoic Acid	I, K, S, T
Butanol	B, C, D, E, I, K, M, R, S, T, V, W

## DEACON SEALANT

- (A) 3100-S
- (B) F-50, F-150, F-250
- (C) 454-T, 560, CV-600, 720-SF, 909, 911, 990, Deacontite, Seal-Chief
- (D) 770-L, 770P
- (E) 411, 440-T, 454, 464
- (F) CJ-429, CJ-650
- (G) 400, 410
- (I) 402-CF
- \* (J) 302
- \* (K) 300, 325, 333, 348, 350, 360-FG, 383
- \* (M) 189, 289, 389
- \* (N) 375-OX, 375-OPX
- \* (P) 340
- (Q) 404, 404-L
- (R) 460
- (S) 427, Epoxy 2020
- \* (T) DP# 4, DP# 5, DP# 10, DP# 11, DP# 14
- \* (V) DP# 3, DP# 6, DP# 7, DP# 8, DP# 12, DP# 16, DP# 24, DP-JC, DP-JCI
- (W) 103-P, SFACC
- \* Non-Curing Compound

Listed compound recommendations are based on chemical compatibility. Compounds are not listed in order of preference. Application conditions (temperature, pressure, etc.) and sealant performance requirements should be considered when making your compound selection.

SCAN TO VIEW CHEMICAL COMPATIBILITY CHART



# CHEMICAL COMPATIBILITY APPLICATION CHART

Butanone	B, C, E, I, K, M, Q, S, T, V, W
I-Butene	B, C, D, E, J, K, M, P, S, T, V, W
n-Butyl Acetate	B, C, D, E, I, K, M, P, S, T, V, W
Butyl Acrylate	B, C, D, E, K, M, P, S, T, V, W
n-butyl Acrylate	B, C, D, E, K, M, P, S, T, V, W
Butyl Alcohol	B, C, D, E, G, I, K, M, P, R, S, T, V, W
n-Butylcarbinol	I, K, M, P, Q, R, S, T
Butyl Ethanoate	B, C, D, E, I, K, M, P, S, T, V, W
Butyl Ethylene	A, B, C, D, E, J, K, M, P, R, S, T, V, W
Butyl-2-propenoate	B, C, D, E, K, M, P, S, T, V, W
Butylene	B, C, D, E, J, K, M, P, S, T, V, W
Butylene Oxide	K, M, P, Q, S, T
1,4-Butyndiol	K, S, T
n-Butyraldehyde	B, C, D, E, I, J, K, M, P, S, T, V, W
n-Butyric Acid	I, K, S, T
Butyric Aldehyde	B, C, D, E, I, J, K, M, P, S, T, V, W
Calcium Chlorate	N
Calcium Chloride	B, C, D, E, G, I, K, Q, R, S, T, V, W
Calcium Dihydroxide	B, C, D, E, K, M, P, S, T, V, W
Calcium Hydroxide	B, C, D, E, G, K, M, P, S, T, V, W
Calcium Stearate	B, C, D, E, G, K, S, T, V, W
Calcium Stearate to 120°F	G, K, R, S, T
Caprolactam	E, K, M, S, T
Carbamates	A, B, C, D, E, I, J, K, R, S, T, V, W
Carbamide	B, C, D, E, G, K, M, P, S, T, V, W
Carbazotic Acid	N
Carbinol	B, C, D, E, I, K, M, P, R, S, T, V, W
Carbitol	A, B, C, D, E, I, J, K, M, P, Q, R, S, T, V, W
Carbolic Acid	A, B, C, D, E, K, M, R, S, T, V, W
Carbon Bichloride	E, K, M, P, S, T
Carbon Dichloride	E, K, M, P, S, T
Carbon Dioxide	A, B, C, D, E, G, I, K, M, P, Q, S, T, V, W
Carbon Disulfide	B, C, D, E, K, M, P, S, T, V, W
Carbon Monoxide	A, B, C, D, E, G, I, K, M, P, S, T, V, W
Carbon Oil	A, B, C, D, E, J, K, M, P, S, T, V, W
Carbon Oxychloride	B, C, D, E, I, K, M, P, S, T, V, W
Carbon Sulfide	A, B, C, D, E, G, I, K, M, P, Q, S, T, V, W
Carbon Tetrachloride	B, C, D, E, K, S, T, V, W
Carbonic Acid	B, C, D, E, G, I, K, M, P, R, S, T, V, W
Carbonic Acid Gas	A, B, C, D, E, G, I, K, M, P, Q, S, T, V, W
Carbonic Anhydride	A, B, C, D, E, G, I, K, M, P, Q, S, T, V, W
Carbonic Oxide	A, B, C, D, E, G, I, K, M, P, Q, S, T, V, W
Carbonyl Diamide	B, C, D, E, K, M, P, S, T, V, W

## DEACON SEALANT

- (A) 3100-S
- (B) F-50, F-150, F-250
- (C) 454-T, 560, CV-600, 720-SF, 909, 911, 990, Deacontite, Seal-Chief
- (D) 770-L, 770P
- (E) 411, 440-T, 454, 464
- (F) CJ-429, CJ-650
- (G) 400, 410
- (I) 402-CF
- \* (J) 302
- \* (K) 300, 325, 333, 348, 350, 360-FG, 383
- \* (M) 189, 289, 389
- \* (N) 375-OX, 375-OPX
- \* (P) 340
- (Q) 404, 404-L
- (R) 460
- (S) 427, Epoxy 2020
- \* (T) DP# 4, DP# 5, DP# 10, DP# 11, DP# 14
- \* (V) DP# 3, DP# 6, DP# 7, DP# 8, DP# 12, DP# 16, DP# 24, DP-JC, DP-JCI
- (W) 103-P, SFACC
- \* Non-Curing Compound

Listed compound recommendations are based on chemical compatibility. Compounds are not listed in order of preference. Application conditions (temperature, pressure, etc.) and sealant performance requirements should be considered when making your compound selection.

SCAN TO VIEW CHEMICAL COMPATIBILITY CHART





# CHEMICAL COMPATIBILITY APPLICATION CHART

Carbonyldiamine	B, C, D, E, K, M, P, S, T, V, W
Carboxyethane	E, I, K, R, T
Castor Oil	B, C, D, E, G, K, M, P, R, S, T, V, W
Catalyst	A, B, C, D, E, F, M, S, V, W
Caustic (Sodium Hydroxide)	B, C, D, E, I, K, M, S, T, V, W
Caustic Potash	K, S, T
Caustic Soda	B, C, D, E, I, K, M, S, T, V, W
Caustic Soda to 50%	B, C, D, E, I, K, M, Q, S, T, V, W
Caustic up to 50% (Sodium Hydroxide)	B, C, D, E, I, K, M, Q, S, T, V, W
Cetylic Acid	B, C, D, E, J, K, M, P, R, S, T, V, W
Chinese White	B, C, D, E, G, I, K, M, P, R, S, T, V, W
Chloracetic Acid	K, T
Chloracetic Acid to 200°F	I, K, T
Chlorethene	B, C, D, E, J, K, M, P, S, T, V, W
Chlorethyl	B, C, D, E, I, J, K, M, P, R, S, T, V, W
Chlorinated Biphenyl	K, S, T
Chlorinated Hydrocarbons	E, K, M, P, S, T
Chlorinated Hydrocarbons, Aliphatic	E, J, K, M, P, S, T, V, W
Chlorine	N
Chlorine (Gas)	N
Chlorine Dioxide	N
Chlorine Peroxide	N
Chloroallylene	B, C, D, E, I, J, K, M, P, S, T, V, W
α-Chloroallyl Chloride	E, K, M, P, S, T
Chlorobenzene	E, K, M, P, R, S, T
Chloroethane	B, C, D, E, I, J, K, M, P, R, S, T, V, W
Chloroethene	B, C, D, E, J, K, M, P, S, T, V, W
Chloroethylene	B, C, D, E, J, K, M, P, S, T, V, W
Chloroform	E, K, M, P, S, T
Chloroformyl Chloride	B, C, D, E, I, K, M, P, S, T, V, W
Chloromethane	B, C, D, E, I, J, K, M, S, T, V, W
1-Chloropentane	E, K, M, P, S, T, V, W
2-Chloropropane	E, K, M, P, S, T, V, W
Chloryl Radical	N
Chlorobiphenyl	K, S, T
Citric Acid	B, C, D, E, G, I, J, K, M, P, R, S, T, V, W
Clorox	I, K, T
Coal Gas	A, B, C, D, E, J, K, M, P, R, Q, S, T, V, W
Coal Naphtha	A, B, C, D, E, J, K, M, P, S, T, V, W
Coal Oil	A, B, C, D, E, J, K, M, P, S
Coal Tar Naphtha	A, B, C, D, E, J, K, M, P, Q, S, T, V, W
Coal Tar Oil	A, B, C, D, E, J, K, M, P, Q, S, T, V, W
Coal Tar Pitch	A, B, C, D, E, J, K, M, P, S, T, V, W

## DEACON SEALANT

- (A) 3100-S
- (B) F-50, F-150, F-250
- (C) 454-T, 560, CV-600, 720-SF, 909, 911, 990, Deacontite, Seal-Chief
- (D) 770-L, 770P
- (E) 411, 440-T, 454, 464
- (F) CJ-429, CJ-650
- (G) 400, 410
- (I) 402-CF
- \* (J) 302
- \* (K) 300, 325, 333, 348, 350, 360-FG, 383
- \* (M) 189, 289, 389
- \* (N) 375-OX, 375-OPX
- \* (P) 340
- (Q) 404, 404-L
- (R) 460
- (S) 427, Epoxy 2020
- \* (T) DP# 4, DP# 5, DP# 10, DP# 11, DP# 14
- \* (V) DP# 3, DP# 6, DP# 7, DP# 8, DP# 12, DP# 16, DP# 24, DP-JC, DP-JCI
- (W) 103-P, SFACC
- \* Non-Curing Compound

Listed compound recommendations are based on chemical compatibility. Compounds are not listed in order of preference. Application conditions (temperature, pressure, etc.) and sealant performance requirements should be considered when making your compound selection.

SCAN TO VIEW CHEMICAL COMPATIBILITY CHART



# CHEMICAL COMPATIBILITY APPLICATION CHART

Coke Oven Gas	E, F, J, M, S
Colamine	I, K, S, T
Condensate	B, C, D, E, I, K, M, P, Q, S, T, V, W
Creosote	A, B, C, D, E, J, K, M, P, Q, S, T, V, W
Cresol	A, B, C, D, E, K, M, P, R, S, T, V, W
Cresylic Acid	A, B, C, D, E, K, M, P, R, S, T, V, W
Crude Oil	A, B, C, D, E, J, K, M, P, Q, S, T, V, W
Cumene	B, C, D, E, J, K, M, P, R, S, T, V, W
Cumyl Hydroperoxide	N
Cyanide	B, C, D, E, J, K, S, T, V, W
Cyanoethylene	B, C, D, E, K, M, P, S, T, V, W
Cyanomethane	B, D, I, J, K, M, P, T, V, W
Cycle Gas	A, B, C, D, E, J, K, M, P, Q, S, T, V, W
Cyclohexanamine	B, C, D, E, I, J, K, M, S, T, V, W
Cyclohexane	B, C, D, E, J, K, M, P, Q, R, S, T, V, W
Cyclohexanol	B, C, D, E, K, M, R, S, T, V, W
Cyclohexanone	E, K, M, S, T
Cyclohexanone Oxime	E, K, S, T
Cyclohexatriene	A, B, C, D, E, J, K, M, P, S, T, V, W
Cyclohexyl Alcohol	B, C, D, E, K, M, R, S, T, V, W
Cyclohexylamine	B, C, D, E, I, J, K, M, S, T, V, W
Cyclohexyl Isocyanate	K, T
DCB (Dichloro Benzene)	B, C, D, E, J, K, M, P, S, T, V, W
DEA (Diethanolamine)	B, C, D, E, I, K, M, S, T, V, W
DEG (Diethylene Glycol)	A, B, C, D, E, I, J, K, M, P, Q, R, S, T, V, W
Deminerlized Water	G, I, J, K, M, P, Q, S, T
Denatured Alcohol	B, C, D, E, I, K, Q, P, R, M, S, T, V, W
Denatured Spirits	B, C, D, E, I, K, Q, P, R, M, S, T, V, W
Deuterium Oxide	G, I, J, K, P, R, S, T
Diamine	N
Diammonium Hydrogen Phosphate	B, C, D, E, G, I, J, K, S, T, V, W
Diammonium Sulfate	B, C, D, E, I, J, K, M, P, S, T, V, W
Dibenzyl Toluene	E, K, M, S, T
m-Dichlorobenzene	B, C, D, E, K, M, P, S, T, V, W
o-Dichlorobenzene	B, C, D, E, J, K, M, P, S, T, V, W
1-1, Dichloroethane	B, C, D, E, J, K, M, P, S, T, V, W
Dichloroethylene	B, C, D, E, K, M, P, S, T, V, W
Dichloromethane	B, C, D, E, I, J, K, M, S, T, V, W
1,3 Dichloropropane	E, K, M, P, S, T
2,3-Dichloro-1-propanol	E, K, M, S, T, V, W
1,3 Dichloropropene	E, K, M, P, S, T
Dichloropropylene	E, K, M, P, S, T
Dichlorotetrafluoroethane	B, C, D, E, K, M, Q, S
Diesel Fuel	A, B, C, D, E, J, K, M, P, Q, P, R, S, T, V, W

## DEACON SEALANT

- (A) 3100-S
- (B) F-50, F-150, F-250
- (C) 454-T, 560, CV-600, 720-SF, 909, 911, 990, Deacontite, Seal-Chief
- (D) 770-L, 770P
- (E) 411, 440-T, 454, 464
- (F) CJ-429, CJ-650
- (G) 400, 410
- (I) 402-CF
- \* (J) 302
- \* (K) 300, 325, 333, 348, 350, 360-FG, 383
- \* (M) 189, 289, 389
- \* (N) 375-OX, 375-OPX
- \* (P) 340
- (Q) 404, 404-L
- (R) 460
- (S) 427, Epoxy 2020
- \* (T) DP# 4, DP# 5, DP# 10, DP# 11, DP# 14
- \* (V) DP# 3, DP# 6, DP# 7, DP# 8, DP# 12, DP# 16, DP# 24, DP-JC, DP-JCI
- (W) 103-P, SFACC
- \* Non-Curing Compound

Listed compound recommendations are based on chemical compatibility. Compounds are not listed in order of preference. Application conditions (temperature, pressure, etc.) and sealant performance requirements should be considered when making your compound selection.

SCAN TO VIEW CHEMICAL COMPATIBILITY CHART



# CHEMICAL COMPATIBILITY APPLICATION CHART

Diethanolamine	B, C, D, E, I, K, M, S, T, V, W
Diethyl	A, B, C, D, E, J, K, M, P, Q, R, S, T, V, W
Diethyl Ester Sulfuric Acid	E, I, K, M, P, S, T, V, W
Diethyl Oxide	K, M, P, S, T
Diethyl Sulfate	E, I, K, M, P, S, T, V, W
Diethylamine	G, I, J, K, M, S, T
Diethylbenzene	A, E, K, M, P, R, S, T, V, W
Diethylbenzol	A, E, K, M, P, R, S, T, V, W
Diethylene Glycol	A, B, C, D, E, I, J, K, M, P, Q, R, S, T, V, W
Diethylene Glycol Amine	B, C, D, E, K, M, P, S, T, V, W
Diethylene Oxide	K, M, P, Q, S, T
Diethyleneimide Oxide	A, B, C, D, E, J, K, M, P, S, T, V, W
Diethylenetriamine	E, I, K, M, S
Diglycol	A, B, C, D, E, I, J, K, M, P, Q, R, S, T, V, W
Dihydrogen Dioxide	N
Dihydroxybenzene	B, C, D, E, I, J, K, M, P, S, T, V, W
Diisopropyl Ether	B, C, D, E, K, M, P, Q, S, T, V, W
Diisopropyl Oxide	B, C, D, E, K, M, P, Q, S, T, V, W
Diisopropylamine	E, K, M, P, T, V, W
Dimethyl	A, B, C, D, E, J, K, M, P, Q, S, T, V, W
Dimethyl Aniline	I, K, M, P, S, T
Dimethyl Disulfide	K, M, S, T, V
Dimethyl Ether	E, K, M, P, Q, R, S, T, V
Dimethyl Ketone	B, C, D, E, I, K, M, P, S, T, V, W
Dimethyl Methane	B, C, D, E, G, I, J, K, M, P, Q, S, T, V, W
Dimethyl Sulfate	K, S, T
Dimethyl Sulfoxide	B, C, D, E, J, K, M, P, R, S, T, V, W
Dimethylamine	B, C, D, E, I, J, K, M, P, S, T, V, W
Dimethylbenzene	B, C, D, E, K, M, P, R, S, T, V, W
Dimethylene Oxide	N
Dimethylenediamine	B, C, D, E, I, J, K, M, P, S, T, V, W
Dimethylformaldehyde	B, C, D, E, I, K, M, P, S, T, V, W
Dimethylformamide	E, I, J, K, R, S, T, V, W
Dimethylphthalate	B, C, D, E, I, J, K, M, P, S, T, V, W
DinitroToluene	E, K, M, P, T
Diolamine	B, C, D, E, I, K, M, S, T, V, W
Diothene	B, C, D, E, G, I, J, K, M, P, S, T, V, W
Diphenyl	E, K, M, R, S
Diphenylamine	B, C, D, E, J, K, M, P, S, T, V, W
Diphenylbenzene	A, B, C, D, E, K, M, P, S, T, V, W
Diphenyl Ether	E, K, M, R, S
Diphenyl Oxide	E, K, M, R, S
Diphyl	A, B, C, D, E, J, K, M, P, S, T, V, W

## DEACON SEALANT

- (A) 3100-S
- (B) F-50, F-150, F-250
- (C) 454-T, 560, CV-600, 720-SF, 909, 911, 990, Deacontite, Seal-Chief
- (D) 770-L, 770P
- (E) 411, 440-T, 454, 464
- (F) CJ-429, CJ-650
- (G) 400, 410
- (I) 402-CF
- \* (J) 302
- \* (K) 300, 325, 333, 348, 350, 360-FG, 383
- \* (M) 189, 289, 389
- \* (N) 375-OX, 375-OXP
- \* (P) 340
- (Q) 404, 404-L
- (R) 460
- (S) 427, Epoxy 2020
- \* (T) DP# 4, DP# 5, DP# 10, DP# 11, DP# 14
- \* (V) DP# 3, DP# 6, DP# 7, DP# 8, DP# 12, DP# 16, DP# 24, DP-JC, DP-JCI
- (W) 103-P, SFACC
- \* Non-Curing Compound

Listed compound recommendations are based on chemical compatibility. Compounds are not listed in order of preference. Application conditions (temperature, pressure, etc.) and sealant performance requirements should be considered when making your compound selection.

SCAN TO VIEW CHEMICAL COMPATIBILITY CHART



# CHEMICAL COMPATIBILITY APPLICATION CHART

Disodium Monosilicate	B, C, D, E, G, I, J, K, M, P, Q, S, T, V, W
Disodium Sulfate	E, I, K, Q, R, S, T, V, W
Distilled Water	G, I, J, K, M, P, Q, S, T
Dithiocarbonic Anhydride	B, C, D, E, K, M, P, S, T, V, W
Dithionic Acid	K, T
DMA (Dimethylamine)	B, C, D, E, I, J, K, M, P, S, T, V, W
DME (Dimethyl Ether)	E, K, M, P, Q, R, S, T, V
DMF (Dimethylformamide)	E, I, J, K, R, S, T, V, W
DMFA (Dimethylformamide)	E, I, J, K, R, S, T, V, W
DMP (Dimethylphthalate)	B, C, D, E, I, J, K, M, P, S, T, V, W
DMS (Dimethyl Sulfate)	K, S, T
DMSO (Dimethyl Sulfoxide)	B, C, D, E, J, K, M, P, R, S, T, V, W
Dowfume	B, C, D, E, J, K, M, P, R, S, T, V, W
Dowtherm	A, B, C, D, E, J, K, M, P, S, T, V, W
Dowtherm A	A, B, C, D, E, J, K, M, P, S, T, V, W
Dowtherm E	B, C, D, E, J, K, M, P, S, T, V, W
Dowtherm J	A, E, K, M, P, R, S, T, V, W
Dowtherm Q	A, B, C, D, E, J, K, M, P, S, T, V, W
Dowtherm T-66	A, B, C, D, E, J, K, M, P, S, T, V, W
DPA (Diphenylamine)	B, C, D, E, J, K, M, P, S, T, V, W
DPO	E, K, M, R, S
Drinking Water	Food grade products if acceptable by end user
EDC (Ethylene Dichloride)	B, C, D, E, K, M, P, S, T, V, W
Epichlorohydrin	E, K, M, S, T, V, W
Epoxy Ethane	N
Epoxy Propane	I, K, M, P, S, T
Erythrene	M (Except 289)
Ethanamine	B, C, D, E, I, J, K, M, P, S, T, V, W
Ethane	A, B, C, D, E, J, K, M, P, Q, S, T, V, W
1,2 Ethanediimine	B, C, D, E, I, J, K, M, P, S, T, V, W
Ethanedichloride	B, C, D, E, K, M, P, S, T, V, W
Ethanethiol	B, C, D, E, I, K, M, P, S, T, V, W
Ethanoic Acid	K, M, P, S, T
Ethanoic Anhydrate	I, K, M, P, S, T
Ethanol	G, I, K, M, P, Q, R, S, T
Ethanolamine	G, I, K, S, T
Ethene	B, C, D, E, K, M, P, Q, R, S, T, V, W
Ethene Oxide	N
Ethene Polymer	B, C, D, E, J, K, M, P, Q, S, T, V, W
Ethenyl Acetate	B, C, D, E, I, K, M, P, Q, S, T, V, W
Ethenyl Ethanoate	B, C, D, E, I, K, M, P, Q, S, T, V, W
Ethenyl-Benzene Homopolymer	B, C, D, E, J, K, M, S, T
Ether	K, M, P, S, T

## DEACON SEALANT

- (A) 3100-S
- (B) F-50, F-150, F-250
- (C) 454-T, 560, CV-600, 720-SF, 909, 911, 990, Deacontite, Seal-Chief
- (D) 770-L, 770P
- (E) 411, 440-T, 454, 464
- (F) CJ-429, CJ-650
- (G) 400, 410
- (I) 402-CF
- \* (J) 302
- \* (K) 300, 325, 333, 348, 350, 360-FG, 383
- \* (M) 189, 289, 389
- \* (N) 375-OX, 375-OPX
- \* (P) 340
- (Q) 404, 404-L
- (R) 460
- (S) 427, Epoxy 2020
- \* (T) DP# 4, DP# 5, DP# 10, DP# 11, DP# 14
- \* (V) DP# 3, DP# 6, DP# 7, DP# 8, DP# 12, DP# 16, DP# 24, DP-JC, DP-JCI
- (W) 103-P, SFACC
- \* Non-Curing Compound

Listed compound recommendations are based on chemical compatibility. Compounds are not listed in order of preference. Application conditions (temperature, pressure, etc.) and sealant performance requirements should be considered when making your compound selection.

SCAN TO VIEW CHEMICAL COMPATIBILITY CHART





# CHEMICAL COMPATIBILITY APPLICATION CHART

Ether Muriatic	B, C, D, E, I, J, K, M, P, R, S, T, V, W
Ether Petroleum	A, B, C, D, E, J, K, M, P, Q, S, T, V, W
Ethyl Acetate	B, C, D, E, G, I, K, M, P, S, T, V, W
Ethyl Acrylate	A, C, E, K, M, P, S, T, V, W
Ethyl Alcohol	G, I, K, M, P, Q, R, S, T
Ethyl Aldehyde	I, K, M, P, S, T
Ethyl Benzene	A, B, C, D, E, J, K, M, P, R, S, T, V, W
Ethyl Bromide	B, C, D, E, K, M, P, S, T, V, W
Ethyl Carbinol	B, C, D, E, K, M, P, Q, S, T, V, W
Ethyl Chloride	B, C, D, E, I, J, K, M, P, R, S, T, V, W
Ethyl Ether	K, M, P, S, T
Ethyl Hydride	A, B, C, D, E, J, K, M, P, Q, S, T, V, W
Ethyl Hydroxide	I, K, M, P, Q, R, S, T
Ethyl Mercaptan	B, C, D, E, I, K, M, P, S, T, V, W
Ethyl Propanoate	A, C, E, K, M, P, S, T, V, W
Ethyl Silicate	B, C, D, E, I, J, K, M, P, R, S, T, V, W
Ethyl Sulfate	C, E, I, K, M, P, S, T, V, W
Ethylacetic Acid	I, K, S, T
Ethylamine	B, C, D, E, I, J, K, M, P, S, T, V, W
Ethyldimethylmethane	B, C, D, E, J, K, M, S
Ethylene	B, C, D, E, K, M, P, Q, R, S, T, V, W
Ethylene Aldehyde	B, C, D, E, I, K, M, P, R, S, T, V, W
Ethylene Bromide	B, C, D, E, J, K, M, P, S, T, V, W
Ethylene Chloride	B, C, D, E, K, M, P, S, T, V, W
Ethylene Diamine	B, C, D, E, I, J, K, M, P, S, T, V, W
1,2-Ethylene Dibromide	B, C, D, E, J, K, M, P, S, T, V, W
Ethylene Dichloride	B, C, D, E, K, M, P, S, T, V, W
Ethylene Glycol	B, C, D, E, G, I, J, K, M, P, R, S, T, V, W
Ethylene Oxide	N
Ethylene Tetrachloride	E, K, M, P, S, T, V, W
2-Ethylhexanol	K, M, Q, S
Ethylidene Chloride	B, C, D, E, J, K, M, P, S, T, V, W
Ethylolamine	I, K, S, T
Ethyne	B, C, D, E, I, J, K, M, P, S, V, W
Fermenticide Liquid	B, C, D, E, K, M, P, S, T, V, W
Ferminc	B, C, D, E, I, J, K, M, P, S, T, V, W
Ferric Chloride	G, I, K, R, Q, M, P, T
Ferric Sulfate	G, I, K, M, P, Q, R, T
Flue Gas	B, C, D, E, F, G, K, M, P, S, T, V, W
Fluorine	Call for Recommendation
Fluosilicic Acid	I, K, S, T
Formaldehyde	A, B, C, D, E, G, I, J, K, M, P, S, T, V, W
Formaldehyde to Ambient	G, I, J, K, M, P, Q

## DEACON SEALANT

- (A) 3100-S
- (B) F-50, F-150, F-250
- (C) 454-T, 560, CV-600, 720-SF, 909, 911, 990, Deacontite, Seal-Chief
- (D) 770-L, 770P
- (E) 411, 440-T, 454, 464
- (F) CJ-429, CJ-650
- (G) 400, 410
- (I) 402-CF
- \* (J) 302
- \* (K) 300, 325, 333, 348, 350, 360-FG, 383
- \* (M) 189, 289, 389
- \* (N) 375-OX, 375-OPX
- \* (P) 340
- (Q) 404, 404-L
- (R) 460
- (S) 427, Epoxy 2020
- \* (T) DP# 4, DP# 5, DP# 10, DP# 11, DP# 14
- \* (V) DP# 3, DP# 6, DP# 7, DP# 8, DP# 12, DP# 16, DP# 24, DP-JC, DP-JCI
- (W) 103-P, SFACC
- \* Non-Curing Compound

Listed compound recommendations are based on chemical compatibility. Compounds are not listed in order of preference. Application conditions (temperature, pressure, etc.) and sealant performance requirements should be considered when making your compound selection.

SCAN TO VIEW CHEMICAL COMPATIBILITY CHART



# CHEMICAL COMPATIBILITY APPLICATION CHART

Formalin	A, B, C, D, E, I, J, K, M, P, S, T, V, W
Formalin to 180°F	I, J, K, M, P, T
Formalin to Ambient	I, J, K, M, P, Q, T
Formic Acid	G, I, K, M, P, S, T
Formic Aldehyde	A, B, C, D, E, I, J, K, M, P, S, T, V, W
Formylic Acid	I, K, M, P, S, T
Freon	K, M, T
Fuel Oil	A, B, C, D, E, J, K, M, P, Q, P, R, S, T, V, W
Fural	B, C, D, E, J, K, M, P, S, T, V, W
Furfural	B, C, D, E, J, K, M, P, S, T, V, W
Furfural Alcohol	B, C, E, K, M, P, S, T, V, W
Furfural to 160°F	I, J, K, M, P
Furyl Alcohol	B, C, E, K, M, P, S, T, V, W
Fusel Oil	I, K, L, M, P, Q, R, S, T
Gallic Acid	B, C, D, E, J, K, M, P, R, S, T, V, W
Gas (Manufactured)	A, B, C, D, E, J, K, M, P, Q, S, T, V, W
Gas Oil	A, B, C, D, E, J, K, M, P, Q, R, S, T, V, W
Gasoline	A, B, C, D, E, J, K, M, P, Q, R, S, T, V, W
Glacial Acetic Acid	K, M, P, S, T
Glycerine	B, C, D, E, G, K, J, M, P, R, S, T, V, W
Glycinol	I, K, S, T
Glycol	B, C, D, E, I, J, K, M, P, R, S, T, V, W
Glycol Bromide	B, C, D, E, J, K, M, P, S, T, V, W
Glycol Dichloride	B, C, D, E, K, M, P, S, T, V, W
Glycol Ether	A, B, C, D, E, I, J, K, M, P, Q, R, S, T, V, W
Glycyl Alcohol	B, C, D, E, G, K, J, M, P, R, S, T, V, W
Grain Alcohol	I, K, M, P, Q, R, S, T
Green Liquor	B, C, D, E, K, M, P, S, T, V, W
HCN (Hydrocyanic Acid)	See Hydrocyanic Acid
Heavy Oil	A, B, C, D, E, J, K, M, P, Q, S, T, V, W
Heavy Water	G, I, J, K, P, R, S, T
Helium	A, B, C, D, E, G, I, J, K, M, P, Q, R, S, T, V, W
Heptane	B, C, D, E, J, K, M, P, R, Q, S, T, V, W
n-Heptane	B, C, D, E, J, K, M, P, R, Q, S, T, V, W
Hexadecylic Acid	B, C, D, E, J, K, M, P, R, S, T, V, W
Hexahydroaniline	B, C, D, E, I, J, K, M, S, T, V, W
Hexahydrobenzenamine	B, C, D, E, I, J, K, M, S, T, V, W
Hexahydrobenzene	B, C, D, E, J, K, M, P, Q, R, S, T, V, W
Hexahydrophenol	B, C, D, E, K, M, R, S, T, V, W
Hexamethyldisilane	B, C, D, E, K, M, P, S, T, V, W
Hexamethylene	B, C, D, E, J, K, M, P, Q, R, S, T, V, W
Hexamethylenediamine (HMD)	E, K, M, S, T
Hexanaphthene	B, C, D, E, J, K, M, P, Q, R, S, T, V, W

## DEACON SEALANT

- (A) 3100-S
- (B) F-50, F-150, F-250
- (C) 454-T, 560, CV-600, 720-SF, 909, 911, 990, Deacontite, Seal-Chief
- (D) 770-L, 770P
- (E) 411, 440-T, 454, 464
- (F) CJ-429, CJ-650
- (G) 400, 410
- (I) 402-CF
- \* (J) 302
- \* (K) 300, 325, 333, 348, 350, 360-FG, 383
- \* (M) 189, 289, 389
- \* (N) 375-OX, 375-OXP
- \* (P) 340
- (Q) 404, 404-L
- (R) 460
- (S) 427, Epoxy 2020
- \* (T) DP# 4, DP# 5, DP# 10, DP# 11, DP# 14
- \* (V) DP# 3, DP# 6, DP# 7, DP# 8, DP# 12, DP# 16, DP# 24, DP-JC, DP-JCI
- (W) 103-P, SFACC
- \* Non-Curing Compound

Listed compound recommendations are based on chemical compatibility. Compounds are not listed in order of preference. Application conditions (temperature, pressure, etc.) and sealant performance requirements should be considered when making your compound selection.

SCAN TO VIEW CHEMICAL COMPATIBILITY CHART



# CHEMICAL COMPATIBILITY APPLICATION CHART

Hexane	A, B, C, D, E, J, K, P, Q, R, M, S, T, V, W
n-Hexane	A, B, C, D, E, J, K, P, Q, R, M, S, T, V, W
1,6 Hexanediamine	E, K, M, S, T
1,6 Hexanedioic Acid	B, C, D, E, I, J, K, M, P, R, S, T, V, W
1 hexanediol	A, B, C, D, E, J, K, Q, R, M, S, T, V, W
1,2 Hexanediol	B, C, D, E, I, J, K, M, R, S, T, V, W
Hexene	A, B, C, D, E, J, K, M, P, R, S, T, V, W
1-Hexene	A, B, C, D, E, J, K, M, P, R, S, T, V, W
1-Hexene to 100°F	J, Q, K, M
Hexone	A, B, C, D, E, I, K, M, P, S, T, V, W
Hexylene Glycol	B, C, D, E, I, J, K, M, R, S, T, V, W
Hexyliodide	B, C, D, E, J, K, M, P, S, T, V, W
Hitec Salt	N
Hot Oil	A, C, D, E, K, M, S, T, V, W
Hydrated Lime	B, C, D, E, K, M, P, S, T, V, W
Hydraulic Fluid (Pydrauls)	A, B, C, D, E, I, J, K, M, P, S, T, V, W
Hydraulic Oil (Petroleum)	A, B, C, D, E, G, J, K, M, Q, P, R, S, T, V, W
Hydraulic Oil (Phosphate Ester)	A, B, C, D, E, I, J, K, M, P, S, T, V, W
Hydrazine	N
Hydrazine-Benzene	A, B, C, D, E, J, K, M, P, S, T, V, W
Hydro furan	K, M, P, Q, S, T
Hydrobromic Acid	I, K, S, T
Hydrobromic Ether	E, K, M, P, S, T, V, W
Hydrocarbon Gases	A, B, C, D, E, J, K, M, P, R, Q, S, T, V, W
Hydrocarbons	A, B, C, D, E, J, K, M, P, R, Q, S, T, V, W
Hydrochloric Acid to 100%	K, M, S, T
Hydrochloric Acid to 37% to 130°F	I, K, M, S, T
Hydrocyanic Acid	B, C, D, E, I, K, S, T, V, W
Hydrofluoric Acid to 100%	K, M, S, T
Hydrofluoric Acid to 23%	I, K, M, Q, S, T
Hydrofluoric Acid to 30% to 176°F	I, K, M, S, T
Hydrofluoric Acid to 65% to 70°F	I, K, M, S, T
Hydrogen	A, B, C, D, E, F, I, J, K, M, P, S, T, V, W
Hydrogen Bromide	I, K, S, T
Hydrogen Chloride	I, K, S, T
Hydrogen Cyanide	B, C, D, E, I, K, S, T, V, W
Hydrogen Dioxide	N
Hydrogen Nitrate	N
Hydrogen Peroxide	N
Hydrogen Sulfide	B, C, D, E, F, I, K, M, P, Q, S, T, V, W
Hydrophenol	B, C, D, E, K, M, R, S, T, V, W
Hydroquinone	B, C, D, E, I, J, K, M, P, S, T, V, W
Hydroxyammonia	E, K, M, S, T

## DEACON SEALANT

- (A) 3100-S
- (B) F-50, F-150, F-250
- (C) 454-T, 560, CV-600, 720-SF, 909, 911, 990, Deacontite, Seal-Chief
- (D) 770-L, 770P
- (E) 411, 440-T, 454, 464
- (F) CJ-429, CJ-650
- (G) 400, 410
- (I) 402-CF
- \* (J) 302
- \* (K) 300, 325, 333, 348, 350, 360-FG, 383
- \* (M) 189, 289, 389
- \* (N) 375-OX, 375-OXP
- \* (P) 340
- (Q) 404, 404-L
- (R) 460
- (S) 427, Epoxy 2020
- \* (T) DP# 4, DP# 5, DP# 10, DP# 11, DP# 14
- \* (V) DP# 3, DP# 6, DP# 7, DP# 8, DP# 12, DP# 16, DP# 24, DP-JC, DP-JCI
- (W) 103-P, SFACC
- \* Non-Curing Compound

Listed compound recommendations are based on chemical compatibility. Compounds are not listed in order of preference. Application conditions (temperature, pressure, etc.) and sealant performance requirements should be considered when making your compound selection.

SCAN TO VIEW CHEMICAL COMPATIBILITY CHART



# CHEMICAL COMPATIBILITY APPLICATION CHART

Hydroxylamine	E, K, M, S, T
Hydroxymethylfuran	B, C, E, K, M, P, S, T, V, W
l-Hydroxymethylpropane	A, B, C, D, E, J, K, M, P, Q, S, T, V, W
Hydroxytoluene	B, C, D, E, K, M, P, S, T, V, W
Iodine	E, K, M, P, R, S, T, V, W
l-Iodohexane	B, C, D, E, J, K, M, P, S, T, V, W
Iodomethane	B, C, D, E, I, J, K, M, P, S, T, V, W
Iron Chloride	I, K, R, Q, M, P, T
Iron Sulfate	G, I, K, M, P, Q, R, T
Iron Trichloride	I, K, R, Q, M, P, T
l, 3-Isobenzofurandione	I, K, R, S, T
Isobutanal	B, C, D, E, I, J, K, M, P, S, T, V, W
Isobutane	A, B, C, D, E, J, K, M, P, S, T, V, W
Isobutanol	A, B, C, D, E, J, K, M, P, Q, S, T, V, W
Isobutene	B, C, D, E, J, K, M, P, Q, S, T, V, W
Isobutyl Acetate	B, C, D, E, I, K, M, S, T, V, W
Isobutyl Alcohol	A, B, C, D, E, G, J, K, M, P, Q, S, T, V, W
Isobutyl Methyl Ketone	A, B, C, D, E, I, K, M, P, S, T, V, W
Isobutylene	B, C, D, E, J, K, M, Q, S, T, V, W
Isobutyltrimethylethane	A, B, C, D, E, J, K, M, Q, R, S, T, V, W
Isobutyraldehyde	B, C, D, E, I, J, K, M, P, S, T, V, W
Isobutyric Aldehyde	B, C, D, E, I, J, K, M, P, S, T, V, W
Isocyanide	B, C, D, E, J, K, S, T, V, W
Isohexane	A, B, C, D, E, J, K, M, Q, R, S, T, V, W
Isooctane	A, B, C, D, E, J, K, M, Q, R, S, T, V, W
Isopentane	B, C, D, E, J, K, M, S
Isoprene	N
Isopropanol	B, C, D, E, I, K, P, Q, S, T, V, W
Isopropyl Acetate	B, C, D, E, I, K, M, P, S, T, V, W
Isopropyl Acetone	A, B, C, D, E, I, K, M, P, S, T, V, W
Isopropyl Alcohol	B, C, D, E, G, I, K, P, Q, S, T, V, W
Isopropyl Benzene	B, C, D, E, J, K, M, P, R, S, T, V, W
Isopropyl Benzene Hydroperoxide	N
Isopropyl Chloride	E, K, M, P, S, T, V, W
Isopropyl Ether	B, C, D, E, K, M, P, Q, S, T, V, W
Isopropylamine	B, C, D, E, K, M, P, R, S, T, V, W
Jet Fuel	A, B, C, D, E, J, K, M, P, Q, R, S, T, V, W
Kerosene	A, B, C, D, E, J, K, M, P, Q, R, S, T, V, W
Ketone Propane	B, C, D, E, I, K, M, P, S, T, V, W
Lacquer	I, K, L, M, P, Q, R, S, T
Lactic Acid	G, K, L, M, R, S, T
Lead Acetate	B, C, D, E, I, K, M, P, S, T, V, W
Lead-Tetraethyl	E, J, K, M, P, S, T, V, W

## DEACON SEALANT

- (A) 3100-S
- (B) F-50, F-150, F-250
- (C) 454-T, 560, CV-600, 720-SF, 909, 911, 990, Deaconite, Seal-Chief
- (D) 770-L, 770P
- (E) 411, 440-T, 454, 464
- (F) CJ-429, CJ-650
- (G) 400, 410
- (I) 402-CF
- \* (J) 302
- \* (K) 300, 325, 333, 348, 350, 360-FG, 383
- \* (M) 189, 289, 389
- \* (N) 375-OX, 375-OPX
- \* (P) 340
- (Q) 404, 404-L
- (R) 460
- (S) 427, Epoxy 2020
- \* (T) DP# 4, DP# 5, DP# 10, DP# 11, DP# 14
- \* (V) DP# 3, DP# 6, DP# 7, DP# 8, DP# 12, DP# 16, DP# 24, DP-JC, DP-JCI
- (W) 103-P, SFACC
- \* Non-Curing Compound

Listed compound recommendations are based on chemical compatibility. Compounds are not listed in order of preference. Application conditions (temperature, pressure, etc.) and sealant performance requirements should be considered when making your compound selection.

SCAN TO VIEW CHEMICAL COMPATIBILITY CHART





# CHEMICAL COMPATIBILITY APPLICATION CHART

Light Naphtha	A, B, C, D, E, J, K, M, P, Q, S, T, V, W
Light Oil	A, C, D, E, J, K, M, P, Q, S
Linseed Oil	B, C, D, E, I, J, K, M, P, Q, R, S, T, V, W
Liquor, Green	B, C, D, E, K, M, P, S, T, V, W
LP Gas (Liquefied Petroleum Gas)	B, C, D, E, J, K, M, P, Q, S, T, V, W
Lubricating Oils	A, B, C, D, E, J, K, M, P, Q, S, T, V, W
Lye	See Potassium Hydroxide
Maleic Anhydride	K, S, T
Maleic Anhydride over 500°F	B, C, D, E, V, W
Marlotherm	E, K, M, S, T
Marsh Gas	A, B, C, D, E, J, K, M, P, Q, S, T, V, W
MCB (Monochlorobenzene)	B, C, D, E, J, K, M, P, S, T, V, W
MDEA (Methyldiethanolamine)	E, K, M, S, T, V, W
MEA (Monoethanolamine)	I, K, M, S, T
MEG (Monethylene Glycol)	B, C, D, E, I, J, K, M, P, R, S, T, V, W
MEK (Methyl Ethyl Ketone)	B, C, E, I, K, M, P, Q, S, T, V, W
Melamine	B, C, D, E, I, J, K, M, P, S, T, V, W
Mercuric Chloride	G, I, K, R, T
Mercury	E, G, I, K, R, S, T, V, W
Mercury (III) Chloride	G, I, K, R, T
Mercury Perchloride	G, I, K, R, T
Metalic Arsenic	A, B, C, D, E, I, J, K, M, P, S, T, V, W
Methane	A, B, C, D, E, J, K, M, P, Q, S, T, V, W
Methane Dichloride	B, C, D, E, I, J, K, S, T, V, W
Methane Tetrachloride	B, C, D, E, K, S, T, V, W
Methane Trichloride	E, K, M, P, S, T, V, W
Methane-Carboxylic Acid	K, M, P, S, T
Methanoic Acid	I, K, M, P, S, T
Methanol	B, C, D, E, G, I, K, M, P, R, S, T, V, W
Methoxymethane	E, K, M, P, Q, R, S, T, V
Methyl Acetate	B, C, D, E, I, J, K, M, P, S, T, V, W
Methyl Acetic Acid	E, I, K, R, S, T, V
Methyl Acetone	B, C, E, I, K, M, P, Q, S, T, V, W
Methyl Acrylate	B, C, D, E, I, J, K, M, P, S, T, V, W
Methyl Alcohol	B, C, D, E, G, I, K, M, P, R, S, T, V, W
Methyl Aldehyde	A, B, C, D, E, I, J, K, M, P, S, T, V, W
Methyl Benzene	A, B, C, D, E, J, K, M, P, S, T, V, W
Methyl Bromide	B, C, D, E, J, K, M, P, R, S, T, V, W
2-Methyl Butane	B, C, D, E, J, K, M, S
Methyl Carbinol	I, K, L, M, P, Q, R, S, T
Methyl Chloride	B, C, D, E, I, J, K, M, S, T, V, W
Methyl Chloroform	B, C, D, E, J, K, M, P, S, T, V, W
Methyl Cyanide	B, D, I, J, K, M, P, T, V, W

## DEACON SEALANT

- (A) 3100-S
- (B) F-50, F-150, F-250
- (C) 454-T, 560, CV-600, 720-SF, 909, 911, 990, Deaconite, Seal-Chief
- (D) 770-L, 770P
- (E) 411, 440-T, 454, 464
- (F) CJ-429, CJ-650
- (G) 400, 410
- (I) 402-CF
- \* (J) 302
- \* (K) 300, 325, 333, 348, 350, 360-FG, 383
- \* (M) 189, 289, 389
- \* (N) 375-OX, 375-OPX
- \* (P) 340
- (Q) 404, 404-L
- (R) 460
- (S) 427, Epoxy 2020
- \* (T) DP# 4, DP# 5, DP# 10, DP# 11, DP# 14
- \* (V) DP# 3, DP# 6, DP# 7, DP# 8, DP# 12, DP# 16, DP# 24, DP-JC, DP-JCI
- (W) 103-P, SFACC
- \* Non-Curing Compound

Listed compound recommendations are based on chemical compatibility. Compounds are not listed in order of preference. Application conditions (temperature, pressure, etc.) and sealant performance requirements should be considered when making your compound selection.

SCAN TO VIEW CHEMICAL COMPATIBILITY CHART



# CHEMICAL COMPATIBILITY APPLICATION CHART

Methyl Ethanoate	B, C, D, E, I, J, K, M, P, S, T, V, W
1-Methylethylamine	B, C, D, E, K, M, P, R, S, T, V, W
Methyl Ethyl Ketone	B, C, E, I, K, M, P, Q, S, T, V, W
Methyl Ethyl Methane	A, B, C, D, E, J, K, M, P, Q, R, S, T, V, W
Methyl Ethylene Oxide	I, K, M, P, S, T
Methyl Hydride	A, B, C, D, E, J, K, M, P, Q, S, T, V, W
Methyl Iodide	B, C, D, E, I, J, K, M, P, S, T, V, W
Methyl Isobutyl Ketone	A, B, C, D, E, I, K, M, P, S, T, V, W
Methyl Ketone	B, C, D, E, I, K, M, P, S, T, V, W
Methyl Methacrylate	B, C, D, E, J, K, M, P, Q, S, T, V, W
Methyl Methane	A, B, C, D, E, J, K, M, P, Q, S, T, V, W
Methyl Orthosilicate	B, C, D, E, F, I, K, M, P, Q, S, T, V, W
Methyl Phenyl Ketone	B, C, D, E, K, M, P, S, T, V, W
Methyl Phenylene Isocyanate	A, B, C, D, E, J, K, M, S, T, V, W
2-Methylpropane	A, B, C, D, E, J, K, M, P, S, T, V, W
2-Methylpropanol	B, C, D, E, I, J, K, M, P, S, T, V, W
Methyl Propenate	B, C, D, E, I, J, K, M, P, S, T, V, W
2-Methylpropene	B, C, D, E, J, K, M, P, Q, S, T, V, W
2-Methylpropyl Acetate	B, C, D, E, I, K, M, S, T, V, W
Methyl Silicate	B, C, D, E, F, I, K, M, P, Q, S, T, V, W
Methyl Sulfate	K, S, T
Methyl Tert-Butyl Ether	A, B, C, D, E, J, K, M, P, Q, S, T, V, W
Methyl Toluene	B, C, D, E, K, M, P, R, S, T, V, W
Methyl Trichloromethane	B, C, D, E, J, K, M, P, S, T, V, W
Methylamine	B, C, D, E, G, I, J, K, M, P, S, T, V, W
Methylamine to 100°F	G, J, Q, K, M, S
Methyldiethanolamine	E, K, M, S, T, V, W
n-Methyldiethanolamine	B, C, D, E, K, M, S, T, V, W
Methyldinitrotoluene	B, C, D, E, K, M, P, T, V, W
Methylene Chloride	E, K, M, S, T
Methylene Glycol	A, B, C, D, E, I, J, K, M, P, S, T, V, W
Methylethene	B, C, D, E, J, K, M, P, Q, S, T, V, W
Methylpropane	B, C, D, E, I, K, M, P, R, S, T, V, W
2-Methyl Pentane	B, C, D, E, I, J, K, M, R, S, T, V, W
Methylphenylmethanol	B, C, D, E, K, M, P, S, T, V, W
Methylpropyl Alcohol	B, C, D, E, K, M, P, S, T, V, W
Methylpyrrolidone	E, K, M, P, S, T, W
n-Methylpyrrolidone	E, K, M, P, S, T, W
N-Methyl-2-pyrrolidone	E, K, M, P, S, T, W
Methylsulfinylmethane	B, C, D, E, J, K, M, P, R, S, T, V, W
Methylsulfoxide	B, C, D, E, J, K, M, P, R, S, T, V, W
MIBK (Methyl Isobutyl Ketone)	A, B, C, D, E, I, K, M, P, S, T, V, W
Microthene	B, C, D, E, J, K, M, P, Q, S, T, V, W
Mineral Oil	A, B, C, D, E, J, K, M, Q, P, R, S, T, V, W

## DEACON SEALANT

- (A) 3100-S
- (B) F-50, F-150, F-250
- (C) 454-T, 560, CV-600, 720-SF, 909, 911, 990, Deaconite, Seal-Chief
- (D) 770-L, 770P
- (E) 411, 440-T, 454, 464
- (F) CJ-429, CJ-650
- (G) 400, 410
- (I) 402-CF
- \* (J) 302
- \* (K) 300, 325, 333, 348, 350, 360-FG, 383
- \* (M) 189, 289, 389
- \* (N) 375-OX, 375-OPX
- \* (P) 340
- (Q) 404, 404-L
- (R) 460
- (S) 427, Epoxy 2020
- \* (T) DP# 4, DP# 5, DP# 10, DP# 11, DP# 14
- \* (V) DP# 3, DP# 6, DP# 7, DP# 8, DP# 12, DP# 16, DP# 24, DP-JC, DP-JCI
- (W) 103-P, SFACC
- \* Non-Curing Compound

Listed compound recommendations are based on chemical compatibility. Compounds are not listed in order of preference. Application conditions (temperature, pressure, etc.) and sealant performance requirements should be considered when making your compound selection.

SCAN TO VIEW CHEMICAL COMPATIBILITY CHART



# CHEMICAL COMPATIBILITY APPLICATION CHART

Mineral Spirits	A, B, C, D, E, J, K, M, P, Q, R, S, T, V, W
Molten Salt	N
Monochloroacetic Acid	K, T
Monochlorobenzene	B, C, D, E, J, K, M, P, S, T, V, W
Monochloroethane	B, C, D, E, I, J, K, M, P, R, S, T, V, W
Monochloromethane	K, S, T
Monoethanolamine	G, I, K, L, M, S, T
Monoethylamine	B, C, D, E, I, J, K, M, P, S, T, V, W
Monoethylene Glycol	B, C, D, E, I, J, K, M, P, R, S, T, V, W
Monoisopropylamine	B, C, D, E, K, M, P, R, S, T, V, W
Monomethylamine	B, C, D, E, I, J, K, M, P, S, T, V, W
Morpholine	A, B, C, D, E, J, K, M, P, S, T, V, W
MTBE	A, B, C, D, E, J, K, M, P, Q, S, T, V, W
Muriatic Acid	See Hydrochloric Acid
Naphid	E, K, R, S, T, V, W
Naphtha	A, B, C, D, E, J, K, M, P, Q, S, T, V, W
Naphthalene	A, B, C, D, E, J, K, M, P, Q, R, S, T, V, W
Naphthalene Oil	A, B, C, D, E, J, K, M, P, Q, S, T, V, W
Naphthene	A, B, C, D, E, J, K, M, P, Q, R, S, T, V, W
Naphthenic Acid	E, K, R, S, T, V, W
Natural Gas	A, B, C, D, E, G, J, K, M, P, Q, S, T, V, W
Nickel Sulfate	B, C, D, E, G, I, J, K, M, P, R, S, T, V, W
Nitric Acid	N
Nitric Acid (Anhydrous)	N
Nitric Acid (Fuming)	N
Nitric Oxide	N
m-Nitroaniline	E, I, K, S, T, V, W
o-nitroaniline	B, C, D, E, I, J, K, M, P, R, S, T, V, W
Nitrobenzene	N
Nitrocarbol	N
Nitrogen	A, B, C, D, E, I, J, K, M, Q, P, R, S, T, V, W
Nitrogen Monoxide	N
Nitromethane	N
Nitrosylsulfuric Acid	N
4-Nitotoluene	A, B, C, D, E, J, K, M, S, T, V, W
NMP	B, E, K, M, P, S, T, V, W
NOX Gases - over 500°F	E, M
Nylon 6	E, K, M, S, T
Octane	A, B, C, D, E, J, K, M, P, Q, S, T, V, W
Oil, Petroleum over 400°F	A, B, C, D, E, M, T, V, W
Oil, Petroleum under 212°F	J, K, M, P, Q, R, S, T, V, W
Oil, Petroleum under 400°F	J, K, M, P, R, S, T, V, W
Oleic Acid	B, C, D, E, J, K, M, P, Q, R, S, T, V, W

## DEACON SEALANT

- (A) 3100-S
- (B) F-50, F-150, F-250
- (C) 454-T, 560, CV-600, 720-SF, 909, 911, 990, Deacontite, Seal-Chief
- (D) 770-L, 770P
- (E) 411, 440-T, 454, 464
- (F) CJ-429, CJ-650
- (G) 400, 410
- (I) 402-CF
- \* (J) 302
- \* (K) 300, 325, 333, 348, 350, 360-FG, 383
- \* (M) 189, 289, 389
- \* (N) 375-OX, 375-OPX
- \* (P) 340
- (Q) 404, 404-L
- (R) 460
- (S) 427, Epoxy 2020
- \* (T) DP# 4, DP# 5, DP# 10, DP# 11, DP# 14
- \* (V) DP# 3, DP# 6, DP# 7, DP# 8, DP# 12, DP# 16, DP# 24, DP-JC, DP-JCI
- (W) 103-P, SFACC
- \* Non-Curing Compound

Listed compound recommendations are based on chemical compatibility. Compounds are not listed in order of preference. Application conditions (temperature, pressure, etc.) and sealant performance requirements should be considered when making your compound selection.

SCAN TO VIEW CHEMICAL COMPATIBILITY CHART



# CHEMICAL COMPATIBILITY APPLICATION CHART

Oleum	K, T
Orthoboric Acid	B, C, D, E, I, J, K, M, P, R, S, T, V, W
Orthodichlorobenzene	B, C, D, E, J, K, M, P, S, T, V, W
Othrophosphoric Acid	See Phosphoric Acid
Oxalic Acid	B, C, D, E, G, I, J, K, M, P, R, S, T, V, W
Oxane	N
Oxomethane	A, B, C, D, E, I, J, K, M, P, S, T, V, W
Oxydibenzene	E, K, M, R, S
Oxygen	N
Ozone	N
Paint Thinner	A, B, C, D, E, J, K, M, P, Q, R, S, T, V, W
Palmitic Acid	B, C, D, E, J, K, M, P, R, S, T, V, W
Paraffin Oil	A, B, C, D, E, G, J, K, M, Q, P, R, S, T, V, W
Parrafin wax	B, C, D, E, G, J, K, M, P, R, S, T, V, W
PCB (Polychlorinated Biphenyl)	K, S, T
Peanut Oil	B, C, D, E, J, K, M, P, R, S, T, V, W
Pearl Ash	N
n-Pentane	A, B, C, D, E, J, K, M, P, S, T, V, W
Pentyl Alcohol	I, K, M, P, Q, R, S, T
Pentyl Chloride	E, K, M, P, S, T, V, W
a-Phenylethyl Alcohol	E, K, M, P, S, T, V, W
Perchloroethylene	E, K, M, P, S, T, V, W
Periodin	N
Peroxides, Inorganic	N
Peroxides, Organic	N
Petrol	A, B, C, D, E, J, K, M, P, Q, R, S, T, V, W
Petroleum Crude	A, B, C, D, E, J, K, M, P, S
Petroleum Ether	A, B, C, D, E, J, K, M, P, Q, S, T, V, W
Petroleum Oil	A, B, C, D, E, J, K, M, Q, S, T, V, W
Petroleum Pitch	B, C, D, E, J, K, M, P, Q, S, T, V, W
Petroleum Spirits	A, B, C, D, E, J, K, M, P, Q, S, T, V, W
Phenic Acid	A, B, C, D, E, K, M, R, S, T, V, W
Phenol	A, B, C, D, E, K, M, R, S, T, V, W
Phenyl Chloride	B, C, D, E, J, K, M, P, S, T, V, W
n-Phenylbenzeneamine	B, C, D, E, J, K, M, P, S, T, V, W
Phenyl Ether-Biphenyl Mixture	A, B, C, D, E, J, K, M, P, S, T, V, W
Phenyl Hydride	A, B, C, D, E, J, K, M, P, S, T, V, W
Phenylamine	B, C, D, E, I, J, K, M, P, R, S, T, V, W
Phenylbenzene	E, K, M, R, S
Phenylethane	A, B, C, D, E, J, K, M, P, R, S, T, V, W
1-Phenylethanol	E, K, M, P, S, T, V, W
2-phenylethanol	E, K, S, T, V, W
Phenylethene	E, K, J, M, P, S, T, V, W

## DEACON SEALANT

- (A) 3100-S
- (B) F-50, F-150, F-250
- (C) 454-T, 560, CV-600, 720-SF, 909, 911, 990, Deacontite, Seal-Chief
- (D) 770-L, 770P
- (E) 411, 440-T, 454, 464
- (F) CJ-429, CJ-650
- (G) 400, 410
- (I) 402-CF
- \* (J) 302
- \* (K) 300, 325, 333, 348, 350, 360-FG, 383
- \* (M) 189, 289, 389
- \* (N) 375-OX, 375-OPX
- \* (P) 340
- (Q) 404, 404-L
- (R) 460
- (S) 427, Epoxy 2020
- \* (T) DP# 4, DP# 5, DP# 10, DP# 11, DP# 14
- \* (V) DP# 3, DP# 6, DP# 7, DP# 8, DP# 12, DP# 16, DP# 24, DP-JC, DP-JCI
- (W) 103-P, SFACC
- \* Non-Curing Compound

Listed compound recommendations are based on chemical compatibility. Compounds are not listed in order of preference. Application conditions (temperature, pressure, etc.) and sealant performance requirements should be considered when making your compound selection.

SCAN TO VIEW CHEMICAL COMPATIBILITY CHART





# CHEMICAL COMPATIBILITY APPLICATION CHART

Phenylethyl Alcohol	E, K, S, T, V, W
Phenyl-ethylene	E, K, J, M, P, S, T, V, W
Phenylhydrazine	A, B, C, D, E, J, K, M, P, S, T, V, W
Phenylic Acid	A, B, C, D, E, K, M, R, S, T, V, W
Phenylmethane	A, B, C, D, E, J, K, M, P, S, T, V, W
Phenylmethanol	E, K, M, P, S, T, V, W
2-Phenylpropane	B, C, D, E, J, K, M, P, R, S, T, V, W
Phenylsulfonic Acid	K, S, T
Phosgene	B, C, D, E, I, K, M, P, S, T, V, W
Phosphoric Acid to 100%	K, M, S, T
Phosphoric Acid to 100% to 250°F	I, K, M, T
Phosphoric Acid to 50%	Q, I, K, M, T
Phosphorous (Red)	K, T
Phosphorous (Yellow)	N
Phosphorous Oxychloride	N
Phosphoryl Chloride	N
Phthalic Acid	B, C, D, E, I, K, M, R, S, T
Phthalic Acid Methyl Ester	B, C, D, E, I, J, K, M, P, S, T, V, W
Phthalic Anhydride	B, C, D, E, I, K, M, R, S, T
Picric Acid	N
Picronitric Acid	N
Polycaprolactam	E, K, M, S, T
Polychlorinated Biphenyls	K, S, T
Polyethylene	B, C, D, E, G, I, J, K, M, P, S, T, V, W
Polyisobutylene	A, B, C, D, E, J, K, M, S, T, V, W
Potash	B, C, D, E, I, J, K, P, R, M, S, T, V, W
Potassium Acetate	B, C, D, E, F, I, J, K, M, P, S, T, V, W
Potassium Bicarbonate	B, C, D, E, G, I, J, K, P, R, M, S, T, V, W
Potassium Carbonate	B, C, D, E, I, J, K, P, R, M, S, T, V, W
Potassium Chlorate	N
Potassium Chloride	B, C, D, E, G, I, J, K, M, P, Q, S, T, V, W
Potassium Hydrate	K, S, T
Potassium Hydrogencarbonate	B, C, D, E, I, J, K, P, R, M, S, T, V, W
Potassium Hydroxide	K, S, T
Potassium Hydroxide to 120°F	I, K, T, S
Potassium Hyperchloride	N
Potassium Nitrate	N
Potassium Nitrite	N
Potassium Oxymuriate	N
Potassium Perchlorate	N
Potassium Sulfate	I, K, M, R, S, T
Potassium Sulfate to 120°F	I, K, M, Q, S, T
Potassium Sulfide	I, K, R, M, S, T

## DEACON SEALANT

- (A) 3100-S
- (B) F-50, F-150, F-250
- (C) 454-T, 560, CV-600, 720-SF, 909, 911, 990, Deacontite, Seal-Chief
- (D) 770-L, 770P
- (E) 411, 440-T, 454, 464
- (F) CJ-429, CJ-650
- (G) 400, 410
- (I) 402-CF
- \* (J) 302
- \* (K) 300, 325, 333, 348, 350, 360-FG, 383
- \* (M) 189, 289, 389
- \* (N) 375-OX, 375-OXP
- \* (P) 340
- (Q) 404, 404-L
- (R) 460
- (S) 427, Epoxy 2020
- \* (T) DP# 4, DP# 5, DP# 10, DP# 11, DP# 14
- \* (V) DP# 3, DP# 6, DP# 7, DP# 8, DP# 12, DP# 16, DP# 24, DP-JC, DP-JCI
- (W) 103-P, SFACC
- \* Non-Curing Compound

Listed compound recommendations are based on chemical compatibility. Compounds are not listed in order of preference. Application conditions (temperature, pressure, etc.) and sealant performance requirements should be considered when making your compound selection.

SCAN TO VIEW CHEMICAL COMPATIBILITY CHART



# CHEMICAL COMPATIBILITY APPLICATION CHART

Procarbazine	B, C, D, E, J, K, M, S, T, V, W
Producer Gas	A, B, C, D, E, J, K, M, P, Q, S, T, V, W
Propane	B, C, D, E, G, I, J, K, M, P, Q, S, T, V, W
1,2 Propanediol	E, I, K, M, P, Q, R, S, T, V, W
Propanoic Acid	E, I, K, R, S, T, V, W
1-Propanol	B, C, D, E, K, M, P, Q, S, T, V, W
2-Propanol	B, C, D, E, I, K, P, Q, S, T, V, W
Propanone	B, C, D, E, I, K, M, P, S, T, V, W
Propene	B, C, D, E, J, K, M, P, Q, S, T, V, W
1-Propene	B, C, D, E, J, K, M, P, Q, S, T, V, W
Propenenitrile	B, C, D, E, K, M, P, S, T, V, W
2-Propenyl Chloride	B, C, D, E, I, J, K, M, P, S, T, V, W
Propionic Acid	E, I, K, R, S, T, V, W
2-Propyl Acetate	B, C, D, E, I, K, M, P, S, T, V, W
Propyl Alcohol	B, C, D, E, G, K, M, P, Q, S, T, V, W
1-Propyl Alcohol	B, C, D, E, K, M, P, Q, S, T, V, W
n-Propyl Alcohol	B, C, D, E, K, M, P, Q, S, T, V, W
2-Propylamine	B, C, D, E, K, M, P, R, S, T, V, W
Propyl Hydride	B, C, D, E, G, I, J, K, M, P, Q, S, T, V, W
Propyl Methanol	B, C, D, E, I, K, M, P, R, S, T, V, W
Propylcarbinol	B, C, D, E, I, K, M, P, R, S, T, V, W
Propylene	B, C, D, E, J, K, M, P, Q, S, T, V, W
Propylene Glycol	E, G, I, K, M, P, Q, R, S, T, V, W
Propylene Oxide	I, K, M, P, S, T
Propylformic Acid	I, K, S, T
Prussic Acid	B, C, D, E, I, K, S, T, V, W
Pulp, Paper	B, C, D, E, G, I, J, K, M, P, S, T, V, W
Pyrobenzole	A, B, C, D, E, J, K, M, P, S, T, V, W
Pyrolysis Gas	A, B, C, D, E, J, K, M, P, Q, S, T, V, W
Pyrosulphuric Acid	K, T
Quick Silver	B, C, D, E, G, I, K, R, S, T, V, W
Raffinate	A, B, C, D, E, J, K, M, P, Q, S, T, V, W
Rhodium III Acetate, Dimer	B, C, D, E, K, M, P, S, T, V, W
Road Tar	B, C, D, E, J, K, M, P, Q, S, T, V, W
Rock Salt	B, C, D, E, I, K, M, P, R, S, T, V, W
Salt Water	B, C, D, E, G, I, K, M, P, R, S, T, V, W
Salt, Common	B, C, D, E, I, K, M, P, R, S, T, V, W
Sand Acid	I, K, S, T
Sewage	G, I, J, K, M, P, S, T, V
Silicofluoric Acid	I, K, S, T
Silicofluoric Acid to Ambient	K, Q, S, T
Soda Lye	See Sodium Hydroxide
Sodium Bisulfite	E, G, K, M, S, T
Sodium Bromide	B, C, D, E, G, I, K, M, P, R, S, T, V, W

## DEACON SEALANT

- (A) 3100-S
- (B) F-50, F-150, F-250
- (C) 454-T, 560, CV-600, 720-SF, 909, 911, 990, Deaconite, Seal-Chief
- (D) 770-L, 770P
- (E) 411, 440-T, 454, 464
- (F) CJ-429, CJ-650
- (G) 400, 410
- (I) 402-CF
- \* (J) 302
- \* (K) 300, 325, 333, 348, 350, 360-FG, 383
- \* (M) 189, 289, 389
- \* (N) 375-OX, 375-OPX
- \* (P) 340
- (Q) 404, 404-L
- (R) 460
- (S) 427, Epoxy 2020
- \* (T) DP# 4, DP# 5, DP# 10, DP# 11, DP# 14
- \* (V) DP# 3, DP# 6, DP# 7, DP# 8, DP# 12, DP# 16, DP# 24, DP-JC, DP-JCI
- (W) 103-P, SFACC
- \* Non-Curing Compound

Listed compound recommendations are based on chemical compatibility. Compounds are not listed in order of preference. Application conditions (temperature, pressure, etc.) and sealant performance requirements should be considered when making your compound selection.

SCAN TO VIEW CHEMICAL COMPATIBILITY CHART



# CHEMICAL COMPATIBILITY APPLICATION CHART

Sodium Chloride	B, C, D, E, G, I, K, M, P, R, S, T, V, W
Sodium Hydroxide	B, C, D, E, I, K, M, S, T, V, W
Sodium Hydroxide to 50%	B, C, D, E, I, K, M, Q, S, T, V, W
Sodium Hypochlorite	I, K, T
Sodium Hyposulfite	B, C, D, E, I, K, M, P, R, S, T, V, W
Sodium Nitrate	N
Sodium Oxychloride	B, C, D, E, I, K, M, P, R, S, T, V, W
Sodium Peroxide	N
Sodium Phosphate, Tribasic	B, C, D, E, K, M, P, S, T, V, W
Sodium Silicate	B, C, D, E, G, I, J, K, M, P, Q, S, T, V, W
Sodium Sulfate	E, G, I, K, M, Q, R, S, T, V, W
Sodium Sulfoisophthalic Acid	E, K, S, T
Sodium Thiosulfate	B, C, D, E, G, I, K, M, P, R, S, T, V, W
Sour Water	B, C, D, E, F, I, K, M, P, Q, S, T, V, W
Steam	B, C, D, E, F, G, I, J, K, M, P, S, T, V, W
Stoddard Solvent	A, B, C, D, E, J, K, M, P, Q, R, S, T, V, W
Styrene	E, K, J, M, P, S, T
Styrene Polymer	B, C, D, E, J, K, M, S, T
Subacetate lead	B, C, D, E, I, K, M, P, S, T, V, W
Succinic Acid	E, G, K, M, P, R, S, T, V, W
Sulfinol	J, K, M, R, S, T
Sulfur	B, C, D, E, K, M, P, R, S, T
Sulfur Dioxide	B, C, D, E, G, K, M, P, S, T, V, W
Sulfur Dioxide to 150°F	G, I, K, M, P, S, T
Sulfur Hexafluoride	E, I, K, M, R, S, T
Sulfur Hydride	B, C, D, E, F, I, K, M, P, Q, S, T, V, W
Sulfur Oxide	See Sulfur Dioxide
Sulfur Trioxide	I, K, S, T
Sulfur Trioxide over 500°F	E, V, W
Sulfur Trioxide over 950°F	F, V
Sulfuric Acid (Fuming)	K, M, S, T
Sulfuric Acid to 100%	K, M, S, T
Sulfuric Acid to 20%	I, K, M, Q, S, T
Sulfuric Acid to 70% to 175°F	I, K, M, S, T
Sulfuric Acid to 90% to 70°F	I, K, M, S, T
Sulfuric Anhydride	See Sulfur Trioxide
Sulfuric Oxide	See Sulfur Trioxide
Sulfurous Acid	E, I, K, S, T
Sulfurous Anhydride	See Sulfur Dioxide
Sulfuryl Chloride	E, K, S, T
Sulphocarbonic Anhydride	B, C, D, E, K, M, P, S, T, V, W
Super Heated Steam	E, F, M, V
Superflake Anhydrous	B, C, D, E, I, K, Q, R, S, T, V, W

## DEACON SEALANT

- (A) 3100-S
- (B) F-50, F-150, F-250
- (C) 454-T, 560, CV-600, 720-SF, 909, 911, 990, Deacontite, Seal-Chief
- (D) 770-L, 770P
- (E) 411, 440-T, 454, 464
- (F) CJ-429, CJ-650
- (G) 400, 410
- (I) 402-CF
- \* (J) 302
- \* (K) 300, 325, 333, 348, 350, 360-FG, 383
- \* (M) 189, 289, 389
- \* (N) 375-OX, 375-OPX
- \* (P) 340
- (Q) 404, 404-L
- (R) 460
- (S) 427, Epoxy 2020
- \* (T) DP# 4, DP# 5, DP# 10, DP# 11, DP# 14
- \* (V) DP# 3, DP# 6, DP# 7, DP# 8, DP# 12, DP# 16, DP# 24, DP-JC, DP-JCI
- (W) 103-P, SFACC
- \* Non-Curing Compound

Listed compound recommendations are based on chemical compatibility. Compounds are not listed in order of preference. Application conditions (temperature, pressure, etc.) and sealant performance requirements should be considered when making your compound selection.

SCAN TO VIEW CHEMICAL COMPATIBILITY CHART



# CHEMICAL COMPATIBILITY APPLICATION CHART

Syn Gas	A, B, C, D, E, J, K, M, P, Q, S, T, V, W
Synthetic Natural Gas	A, B, C, D, E, J, K, M, P, Q, S, T, V, W
Tall Oil	A, B, C, D, E, K, M, P, R, S, T, V, W
Tallol	A, B, C, D, E, K, M, P, R, S, T, V, W
Tannic Acid	A, B, C, D, E, G, K, M, P, Q, R, S, T, V, W
Tar	A, B, C, D, E, J, K, M, P, Q, S, T, V, W
Tartaric Acid	E, G, K, M, P, R, S, T, V, W
TCP	E, K, M, S, T, V, W
TEL (Tetraethyl Lead)	E, J, K, M, P, S, T, V, W
Terephthalic Acid (TPA)	E, K, S, T
Terphenyls	A, B, C, D, E, K, M, P, S, T, V, W
Tert-Butyl Alcohol (TBA)	E, K, M, S
Tert-Butyl Ether	A, B, C, D, E, J, K, M, P, Q, S, T, V, W
Tetrachlorocarbon	B, C, D, E, K, S, T, V, W
Tetraethoxysilane	B, C, D, E, I, J, K, M, P, R, S, T, V, W
Tetraethyl Lead	E, J, K, M, P, S, T, V, W
Tetraethyl Silicate	B, C, D, E, I, J, K, M, P, R, S, T, V, W
Tetrafinol	B, C, D, E, K, S, T, V, W
Tetrafluordichloroethane	B, C, D, E, K, M, Q, S
Tetrahydro-1,4-Isloxazine	A, B, C, D, E, J, K, M, P, S, T, V, W
Tetrahydrofuran	K, M, P, Q, S, T
Tetramethyl Lead	E, J, K, M, S, T
Tetramethyl silicate	B, C, D, E, F, I, K, M, P, Q, S, T, V, W
Therminol 66	A, B, C, D, E, J, K, M, S, T, V, W
Thioethyl Alcohol	B, C, D, E, I, K, M, P, S, T, V, W
Titanium Chloride	K, S
Titanium Dioxide	C, D, E, J, K, M, P, R, T, V, W
Titanium Tetrachloride	K, S, T
TML (Tetramethyl Lead)	E, J, K, M, S, T
Toluene	A, B, C, D, E, J, K, M, P, S, T, V, W
Toluene Diisocyanate	A, B, C, D, E, J, K, M, S, T, V, W
Toluene-1,3-Diisocyanate	A, B, C, D, E, J, K, M, S, T, V, W
Toluol	A, B, C, D, E, J, K, M, P, S, T, V, W
Toxic Anhydride	K, S, T
Transformer Oil	J, K, P, M, Q, R, S, T
Transformer Oil to 200°F	J, K, M, Q, R, S, T
Triacetone Diamine (TAD)	E, K, S, T
Tribromoaluminum	I, K, Q, R, S, T
Trichloroacetic Acid	K, T
1,1,1-Trichloroethane	B, C, D, E, J, K, M, P, S, T, V, W
Trichloroaluminum	I, K, S, T
Trichloroethanoic Acid	K, T
Trichloroethene	K, S, T

## DEACON SEALANT

- (A) 3100-S
- (B) F-50, F-150, F-250
- (C) 454-T, 560, CV-600, 720-SF, 909, 911, 990, Deaconite, Seal-Chief
- (D) 770-L, 770P
- (E) 411, 440-T, 454, 464
- (F) CJ-429, CJ-650
- (G) 400, 410
- (I) 402-CF
- \* (J) 302
- \* (K) 300, 325, 333, 348, 350, 360-FG, 383
- \* (M) 189, 289, 389
- \* (N) 375-OX, 375-OPX
- \* (P) 340
- (Q) 404, 404-L
- (R) 460
- (S) 427, Epoxy 2020
- \* (T) DP# 4, DP# 5, DP# 10, DP# 11, DP# 14
- \* (V) DP# 3, DP# 6, DP# 7, DP# 8, DP# 12, DP# 16, DP# 24, DP-JC, DP-JCI
- (W) 103-P, SFACC
- \* Non-Curing Compound

Listed compound recommendations are based on chemical compatibility. Compounds are not listed in order of preference. Application conditions (temperature, pressure, etc.) and sealant performance requirements should be considered when making your compound selection.

SCAN TO VIEW CHEMICAL COMPATIBILITY CHART





# CHEMICAL COMPATIBILITY APPLICATION CHART

Trichloroethylene	K, S, T
Trichloroform	E, K, M, P, S, T
1,2,3 Trichloropropane	E, K, M, S, T, V, W
Trichlorotrifluoroethane	See Freon
Triethane	B, C, D, E, J, K, M, P, S, T, V, W
Triethanolamine	B, C, D, E, I, J, K, M, S, T, V, W
Triethylaluminum	E, K, M, S
Triethylamine	A, B, C, D, E, I, J, K, M, S, T, V, W
Triethylene Glycol (TEG)	E, K, S, T
Triethylolamine	A, B, C, D, E, J, K, M, P, S, T, V, W
Trihydroxytriethylamine	A, B, C, D, E, I, J, K, M, P, S, T, V, W
2,2,4-Trimethylpentane	A, B, C, D, E, J, K, M, Q, R, S, T, V, W
Tri-n-octylphosphine Oxide	E, K, T, V, W
Trioxygen	N
Triphenyl	A, B, C, D, E, K, M, P, S, T, V, W
Triphenylphosphine	B, C, D, E, K, M, P, S, T, V, W
Triphenylphosphine Oxide	B, C, D, E, K, M, P, S, T, V, W
Tripotassium Trichloride	B, C, D, E, I, J, K, M, P, Q, S, T, V, W
Trisodium Phosphate	B, C, D, E, G, K, M, P, S, T, V, W
Trolamine	B, C, D, E, I, J, K, M, S, T, V, W
Turbine Fuel	A, B, C, D, E, J, K, M, P, Q, R, S, T, V, W
Turpentine	B, C, D, E, J, K, M, P, R, S, T, V, W
Ucarsol	J, K, S, T
Urea	B, C, D, E, G, K, M, P, S, T, V, W
Urea Ammonium Nitrate	N
Varnish	A, B, C, D, E, J, K, M, P, Q, S, T, V, W
VCM (Vinyl Chloride Monomer)	B, C, D, E, J, K, M, P, S, T, V, W
Vegetable Oil	A, B, C, D, E, J, K, M, P, R, S, T, V, W
Vegetable Oil to 120°F	J, K, M, P, S, T
Vegetable Oil to 200°F	I, J, K, M, P, S, T
Vinegar Acid	See Acetic Acid
Vinyl A Monomer	B, C, D, E, I, K, M, P, Q, S, T, V, W
Vinyl Acetate	B, C, D, E, I, K, M, P, Q, S, T, V, W
Vinyl Chloride	B, C, D, E, J, K, M, P, S, T, V, W
Vinyl Chloride Monomer	B, C, D, E, J, K, M, P, S, T, V, W
Vinyl Cyanide	B, C, D, E, K, M, P, S, T, V, W
Vinyl Cyclohexene Dioxide	B, C, D, E, J, K, M, P, S, T, V, W
Vinyl Ethanoate	B, C, D, E, I, K, M, P, Q, S, T, V, W
Vinyl Ethylene	M (Except 289)
Vinylbenzene Polymer	B, C, D, E, J, K, M, S, T
Vinylidene Chloride	E, K, M, P, S
Water	G, I, J, K, M, P, Q, S
Water (Cold)	G, I, J, K, M, P, Q, S

## DEACON SEALANT

- (A) 3100-S
- (B) F-50, F-150, F-250
- (C) 454-T, 560, CV-600, 720-SF, 909, 911, 990, Deacontite, Seal-Chief
- (D) 770-L, 770P
- (E) 411, 440-T, 454, 464
- (F) CJ-429, CJ-650
- (G) 400, 410
- (I) 402-CF
- \* (J) 302
- \* (K) 300, 325, 333, 348, 350, 360-FG, 383
- \* (M) 189, 289, 389
- \* (N) 375-OX, 375-OPX
- \* (P) 340
- (Q) 404, 404-L
- (R) 460
- (S) 427, Epoxy 2020
- \* (T) DP# 4, DP# 5, DP# 10, DP# 11, DP# 14
- \* (V) DP# 3, DP# 6, DP# 7, DP# 8, DP# 12, DP# 16, DP# 24, DP-JC, DP-JCI
- (W) 103-P, SFACC
- \* Non-Curing Compound

Listed compound recommendations are based on chemical compatibility. Compounds are not listed in order of preference. Application conditions (temperature, pressure, etc.) and sealant performance requirements should be considered when making your compound selection.

SCAN TO VIEW CHEMICAL COMPATIBILITY CHART



# CHEMICAL COMPATIBILITY APPLICATION CHART

Water Gas	A, B, C, D, E, F, I, J, K, M, P, S, T, V, W
Water Glass	B, C, D, E, G, I, J, K, M, P, Q, S, T, V, W
Water, Boiler Feed	B, C, D, E, G, I, K, M, P, T, V, W
Water, Drinking	Food grade products if acceptable by end user
White Caustic	See Sodium Hydroxide
White Liquor	B, C, D, E, K, M, P, S, T, V, W
White Mineral Oil	A, B, C, D, E, J, K, M, Q, P, R, S, T, V, W
White Oleic Acid	B, C, D, E, J, K, M, P, Q, R, S, T, V, W
Wood Alcohol	B, C, D, E, I, K, M, P, R, S, T, V, W
Wood Pulp	B, C, D, E, G, I, J, K, M, P, S
Xylene	B, C, D, E, K, M, P, R, S, T, V, W
Xylidine	I, K, P, S, T
Xylol	B, C, D, E, K, M, P, R, S, T, V, W
Zinc Acetate	A, B, C, D, E, I, J, K, M, P, S, T, V, W
Zinc Chloride	B, C, D, G, I, K, M, P, R, S, T, V, W
Zinc Oxide	B, C, D, E, G, I, K, M, P, R, S, T, V, W
Zinc Sulfate	B, C, D, E, G, I, J, K, M, P, R, S, T, V, W
Zinc White	B, C, D, E, G, I, K, M, P, R, S, T, V, W

## DEACON SEALANT

- (A) 3100-S
- (B) F-50, F-150, F-250
- (C) 454-T, 560, CV-600, 720-SF, 909, 911, 990, Deacontite, Seal-Chief
- (D) 770-L, 770P
- (E) 411, 440-T, 454, 464
- (F) CJ-429, CJ-650
- (G) 400, 410
- (I) 402-CF
- \* (J) 302
- \* (K) 300, 325, 333, 348, 350, 360-FG, 383
- \* (M) 189, 289, 389
- \* (N) 375-OX, 375-OXP
- \* (P) 340
- (Q) 404, 404-L
- (R) 460
- (S) 427, Epoxy 2020
- \* (T) DP# 4, DP# 5, DP# 10, DP# 11, DP# 14
- \* (V) DP# 3, DP# 6, DP# 7, DP# 8, DP# 12, DP# 16, DP# 24, DP-JC, DP-JCI
- (W) 103-P, SFACC
- \* Non-Curing Compound

Listed compound recommendations are based on chemical compatibility. Compounds are not listed in order of preference. Application conditions (temperature, pressure, etc.) and sealant performance requirements should be considered when making your compound selection.

SCAN TO VIEW CHEMICAL COMPATIBILITY CHART



# TROUBLESHOOTING

## Sealant Curing too slowly

Should you have added accelerator? Did the plant give you the correct operating temperature?

Can you add plant steam or other heat source to provide extra heat? Are you using the correct Sealant for this temperature? If you need to add accelerator to sealant already injected, add the accelerator to a Deacon liquid or paste and inject. It will flow around the perimeter and carry accelerator to the previously injected compound.

## Sealant extrudes from clamp or enclosure when sealant is injected

**Heat Curing Compound:** Sometimes you just have to give it a little time to cure. If you are injecting at point A and it extrudes from point B, give a little time to cure, then return and pump against cured sealant. (accelerator will cut cure time by 75%) Is adding more heat an option? Should you be using a thicker compound?

**Non-Curing Compound:** Pump a thicker compound close to the extrusion point. Consider options like peening the gap or other gap closing method. Pump a curing compound like two part rubber at the extrusion point for bridging. Make sure compound extruding looks normal and is not breaking down.

## Sealant is setting up too fast and clogging injector or not traveling

Can you be using a thinner compound for the application. Is there a higher temperature rated compound you can use that will cure slower? Can you put steam at the injection port to cool the injector.

## Cannot reach desired gun pressure even though void is full

Consider if you are mainlining sealant. Consider if studs are stretching from injection pressure. Is the internal gasket or crack condition worsening? Is your void calculation wrong and the void is not full? Is your gun gauge working properly?

## I need to inject a metal to metal joint or into threads

Use a Deacon paste, liquid, two part rubber or one part rubber. You can pump a liquid or paste with a thicker compound to fill a void and get sealant into tight gaps and threads.

## The pipe is too thin and I can't apply normal injection pressure.

Consider if you can pour the void with 427 Epoxy or 404 Liquid.

Is pouring a heat curing liquid resin like 440-T or 770-L an option? Can the piping withstand the pressure required to inject a paste like 770-P, 400 Rubber, 404 Rubber or CJ-650?

## The void is huge and I want to use a volume pump to pump from 5 gallon pails

Deacon 400, 410, 770-P, CJ-650, 7000 refractory and 348 PTFE are all designed to pump with a volume pump from 5 gallon pails.

## My customer is concerned about a sealant flash or auto ignition during injection.

Refer to the section in the Deacon Service Manual under Flash Point and Flammability. Call Deacon to discuss these concerns. Review every job before proceeding to determine if you need to take any precautions to prevent a flash.





## TIPS FOR SUCCESS

Be sure to get an accurate temperature from your customer. Many times operators give leak sealers the wrong temperature. Shoot the temperature reading yourself if it doesn't seem right.

Leave injection ports open to allow sealants to gas off if gassing is occurring. This relieves pressure and allows the sealant to release the gases to allow the curing process to take place. Caution, gases being released may be flammable as well as gases from the process leak may be flammable or dangerous.

Be aware of excessive heat in the back of pickup trucks in the hot months. These temperatures can cause heat curing compounds to cure. Maximum shelf life requires refrigeration for some sealants and using a cooler in the back of a pickup truck may be a good idea for heat curing compounds.

Don't leave curing compound in the injection hose of your injection gun after the job. See Gun Pak 1 in Deacon Service Manual, page 17.

If you have gallons getting hard before you get a chance to use them, consider stocking J-Sticks. They have a better shelf life and you only open one at a time instead of opening a whole gallon. Note: you can pre-pack enclosures with cured sealant to avoid having to dispose of it (check with your company engineering for approval).

Use accelerator to speed up the cure time of heat curing compounds under 550 F. This is a tool that can give you so much more control over how long it is going to take to seal a leak. STOCK ACCELERATOR, IT HAS NO SHELF LIFE

Do not risk hydraulic fluid contamination when using 375-OX. Use an injection gun that is set up for chlorine and oxygen work, that contains a compatible fluid for chlorine and oxygen, not hydraulic fluid.

When pouring a void fill enclosure, make sure you have a port for air to come out as the product is poured in. Air coming out the same port you are pouring into does not work unless the port is large enough to allow air to escape without interrupting flow of liquid pouring in.

Follow all safety protocol. Try to avoid contact with skin and respiratory. Your safety and the safety of those around you is your top priority. Know you are properly protected for the product you are using (refer to SDS) and for the product you are exposed to from the process in the line. Don't proceed until you have the knowledge to protect yourself properly. Refer to all safety information in the Deacon Service manual.



Have Deacon attend your next staff meeting with your technicians to discuss sealants and applications.

We can answer your questions and discuss applications, injections guns, hardware etc.







# DEACON<sup>®</sup>

## **INJECTABLE SEALANTS AND VALVE PACKINGS SINCE 1988**

Founded in 1988, Deacon has become the premier name for On-Line Injectable Leak Sealing Products Worldwide. Our extensive product line is formulated to meet the needs of a diverse range of industries. Deacon products are sealing leaks in refineries, steel mills, pulp and paper mills, chemical plants, and power generators every day. Our products in conjunction with the expertise of our valued customers, the On-Line Leak Sealing contractors, are keeping plants up and running, preventing costly shutdowns. Deacon will continue to provide the highest quality, most reliable leak sealing products our customers have come to rely on. We are proud of our reputation and are committed to providing the best products and service in the industry.

Have a question, we are here to help.

Call: 724-225-8008 • 24-Hour: 800-552-2896

[jetlube.com/deacon](http://jetlube.com/deacon)

# DEACON<sup>®</sup>

## Contact Us

<https://www.jetlube.com/company/contact-deacon>

724-225-8008 - 800-552-2896  
(24 hr answering)

[jetlube.com/deacon](https://www.jetlube.com/deacon)

*Deacon is a product line of Jet-Lube.*

**JET-LUBE<sup>®</sup>**

